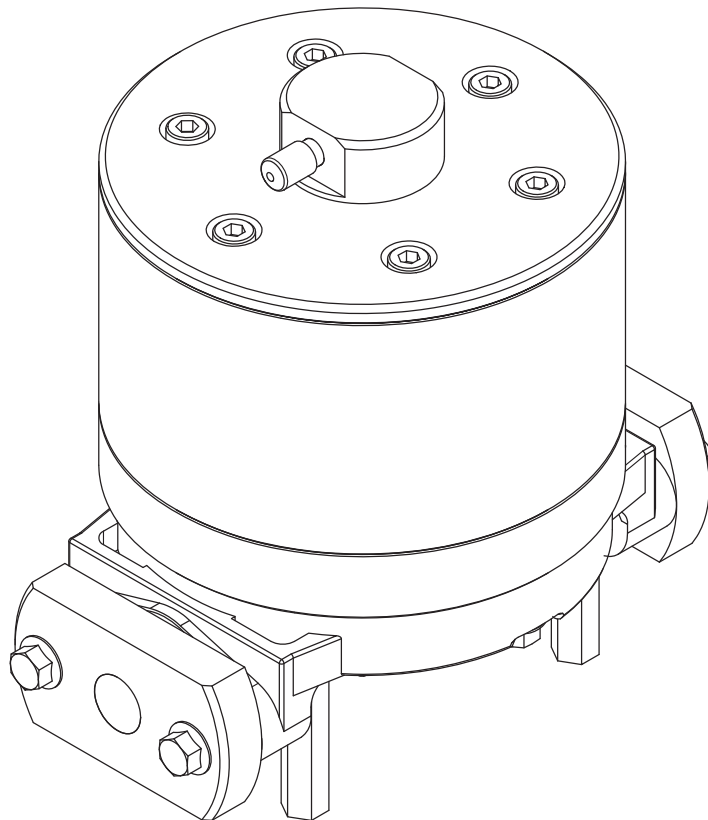




PUMP SERVICE BOOK

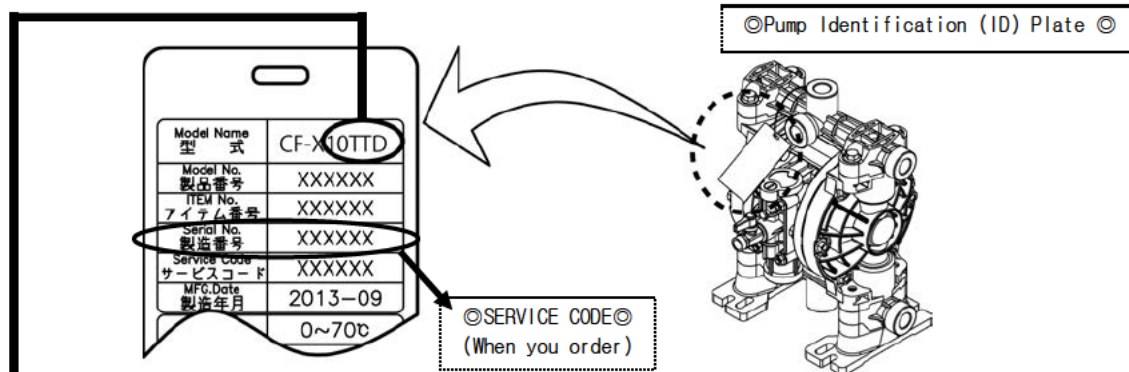


CF-X10□ CF-X15□ CF-X25□
CF-X40□ CF-X50□
Series Pumps

HOW TO USE THE PUMP SERVICE BOOK

CF-X15□

- The servicing method for each pump can be different depending on the model and size. Please refer to the "Model Name" noted on the Pump Identification Plate and use the below table as a page number and diagram reference guide.



Pump Model Code	• DIAPHRAGM • CENTRE ROD	• CENTRE DISK • DIAPHRAGM • Mounting Direction	• BEARING CENTRE ROD • PILOT VALVE	• Exploded View • Assembly torque values / Re-torque values
	Page Number & Diagram Reference Numbers			
AC SC AN SN AH SH AS SS	1-①	2-⑤	3	4-③
AT ST	1-①	2-⑥	3	4-③
PC PH PN PS VS	1-②	2-⑦	3	4-④
PT VT DT	1-②	2-⑧	3	4-④

※ 1) Before operating the pump for the first time please re-torque all bolts. Also re-torque bolts if leaks are discovered as part of the daily inspection regime.

Description of Diagrams used within the Pump Service Book

	Check Condition & Measurements Carefully		Use Oil to help with Assembly		Use Grease to help with Assembly		Apply LOCTITE [®] to adhere
	If within tolerance then continue to Use		If beyond allowable tolerance then dispose		Replace with New Parts		Hand-tight

⚠ **WARNING**



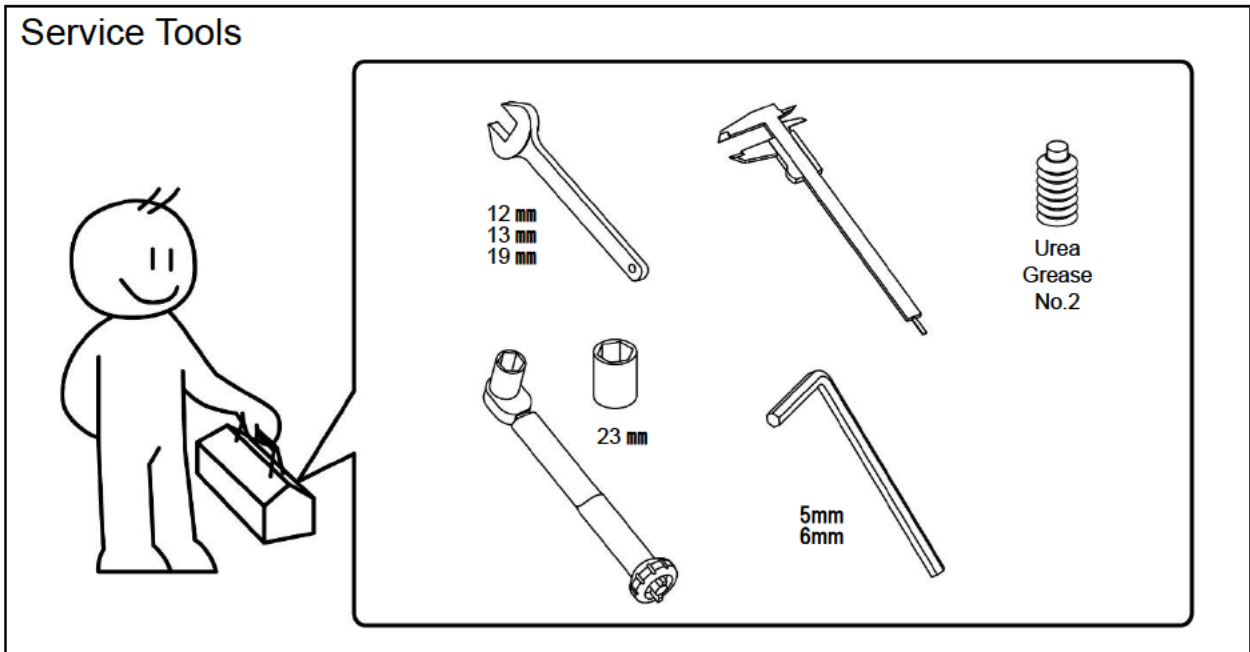
For your own safety and the safety of the people around you, be sure to read the procedures noted within carefully before performing maintenance on this product. After reading this document, be sure to keep it handy for future reference.

⚠ **WARNING**



Before commencing any maintenance work, Disconnect the compressed air supply and remove and clean any remaining liquids contained on around or within the pump. If liquids are not removed or neutralized then there is a possibility of a serious injury such as burns, blindness, poisoning or even death if chemicals adhere to the skin eyes or are accidentally inhaled or swallowed. If residual air pressure is present within the pump there could be a danger of sudden decompression or explosion resulting in severe injury or even death. In case of disassembling, be sure to wear protective equipment, such as face mask, gloves, etc. When replacing spare parts, be sure to use genuine YTS parts. The installation and use of non-specified parts may cause a malfunction or damage to the product.

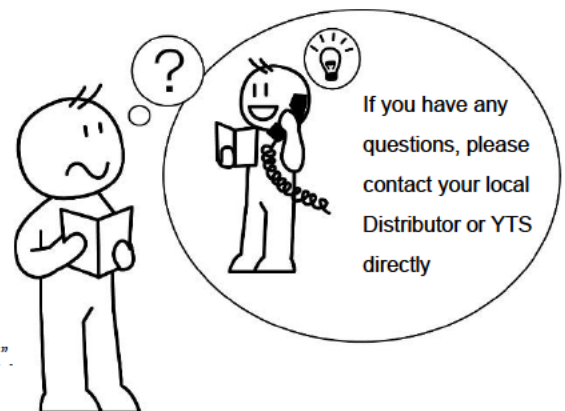
Service Tools



Recommended Changeover Time for the Replacement of Diaphragms ※

CR, NBR, EPDM	10 million cycles
PTFE	10 million cycles
TPEE, TPO	15 million cycles

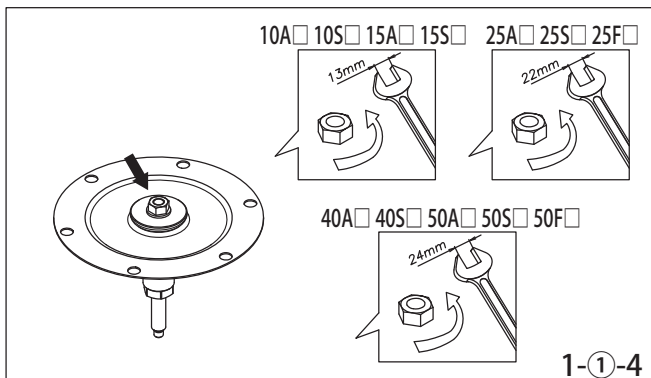
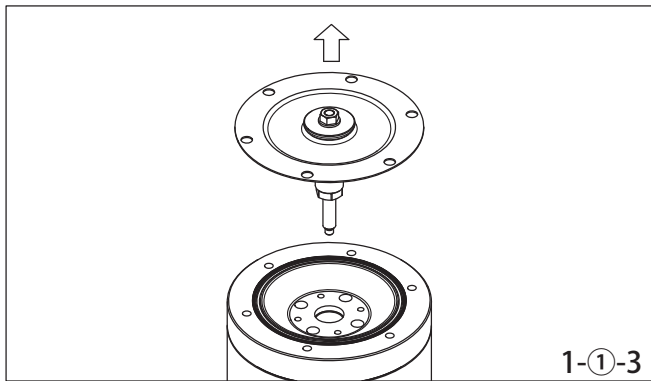
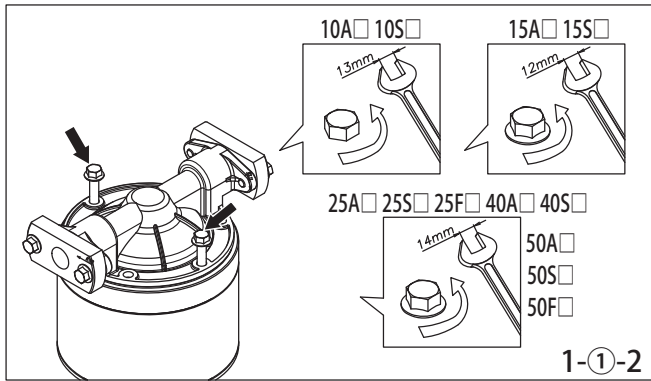
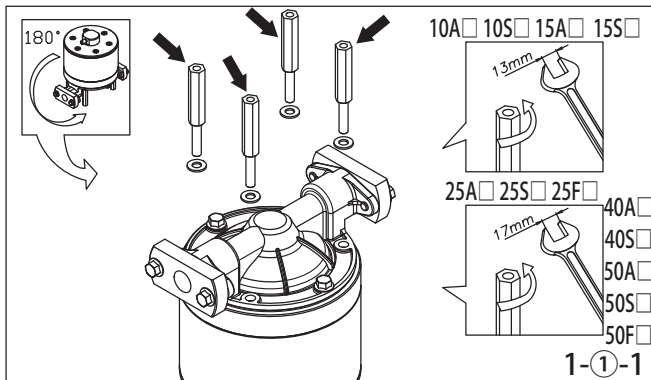
- ※ Conditions; with fresh water at room temperature and 0 head
Conditions such as over pressurization, dry running high or low temperatures, Chemical attack or Abrasion etc. can drastically shorten diaphragm life.
- ※ O-rings and packing should be replaced during service.
- ※ When reassembling the pump please follow the disassembly Procedure in reverse. For all torque values refer to the Exploded view on page 4.
- ※ When ordering spare parts, please refer to the pump "SERVICE CODE". As stated on the Identification plate.



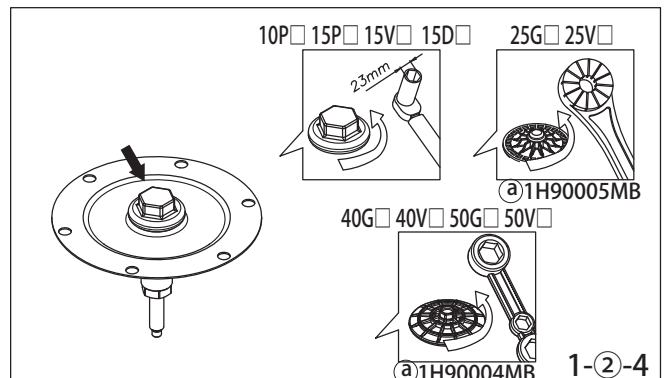
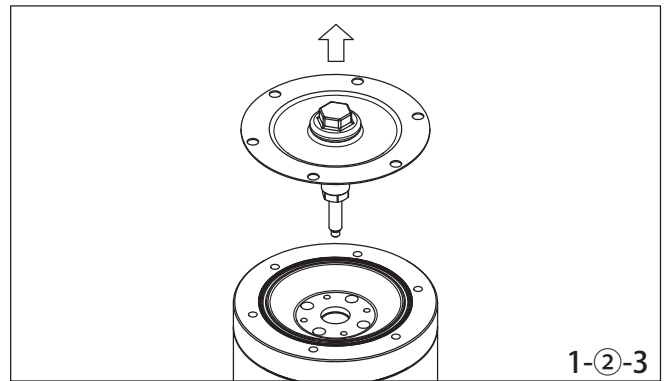
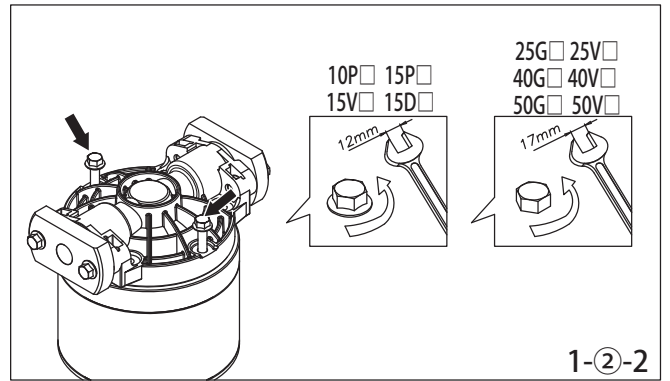
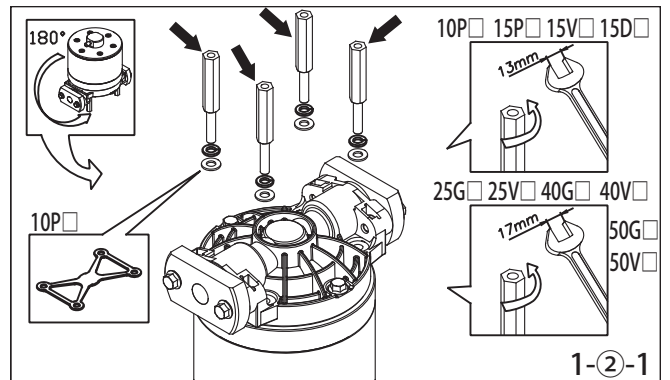
If you have any questions, please contact your local Distributor or YTS directly

1

10A□ 10S□ 15A□ 15S□
 25A□ 25S□ 25F□
 1-① 40A□ 40S□
 50A□ 50S□ 50F□

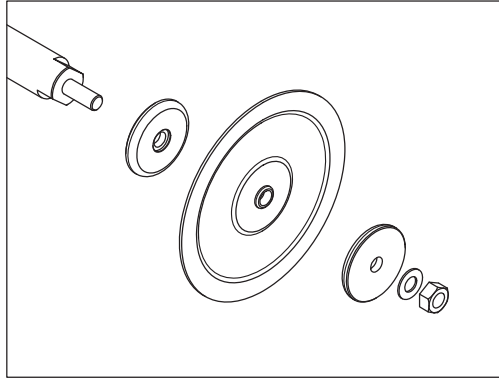


10P□ 15P□ 15V□ 15D□
 1-② 25G□ 25V□
 40G□ 40V□ 50G□ 50V□



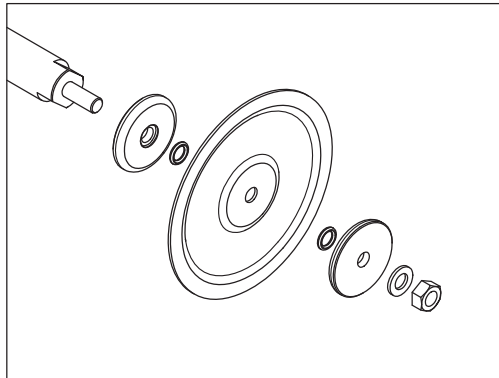
2-①

10AH 10SH
10AS 10SS



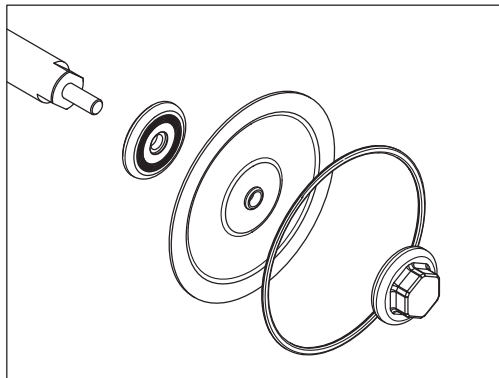
2-②

10AC 10SC
10AN 10SN
10AT 10ST



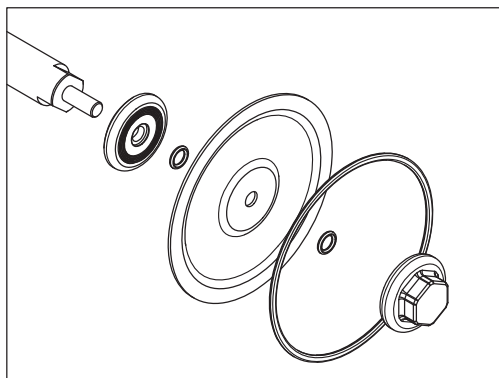
2-③

10PH
10PS



2-④

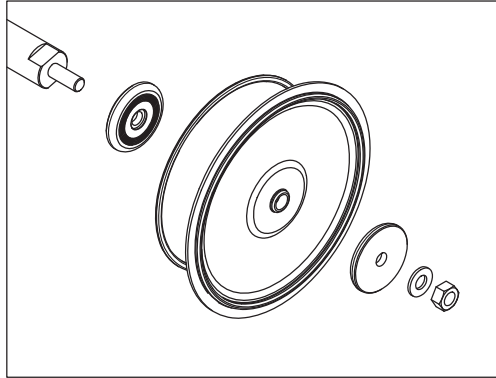
10PC
10PN
10PT



2

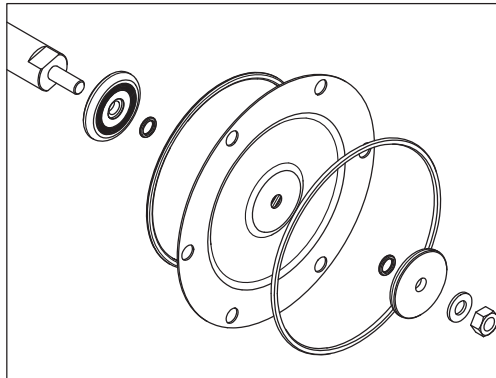
2-⑤

15AC 15SC
15AN 15AN
15AH 15SH
15AS 15SS



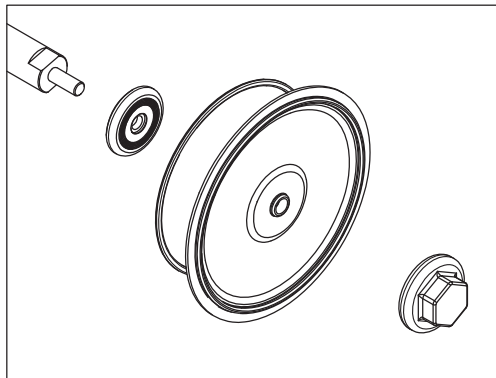
2-⑥

15AT 15ST



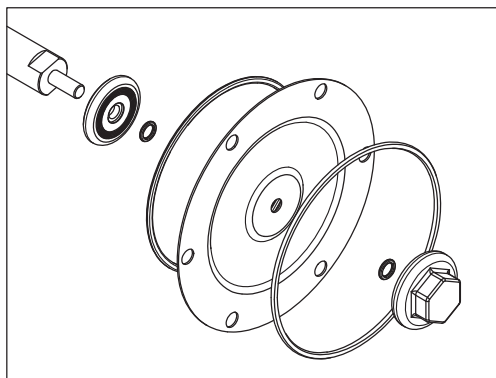
2-⑦

15PC 15VS
15PN
15PH
15PS



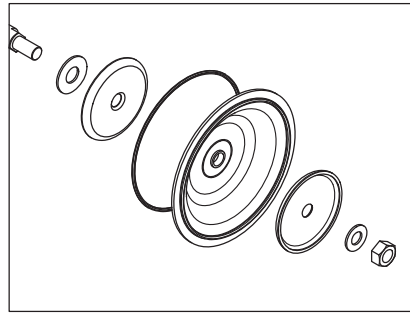
2-⑧

15PT 15VT
15DT



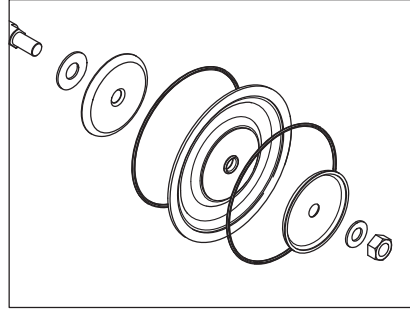
2-⑨

25AC 25SC 25FC
25AN 25SN 25FN
25AE 25SE 25FE
25AV 25SV 25FV



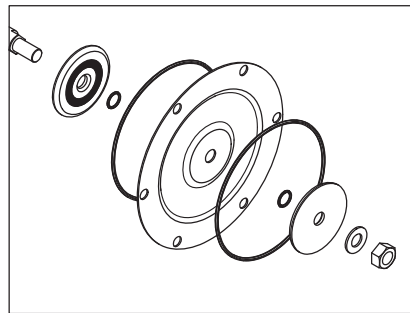
2-⑩

25AH 25SH 25FH
25AS 25SS 25FS



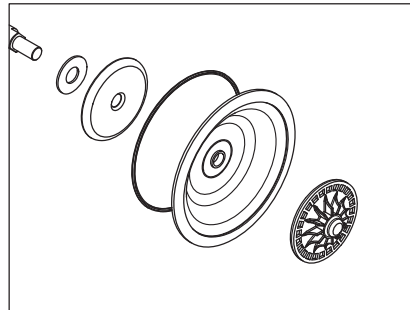
2-⑪

25AT 25ST 25FT



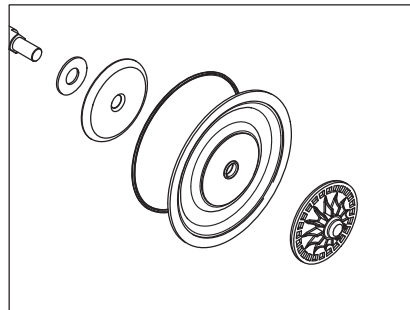
2-⑫

25GC 25VE
25GN 25VV
25GE
25GV



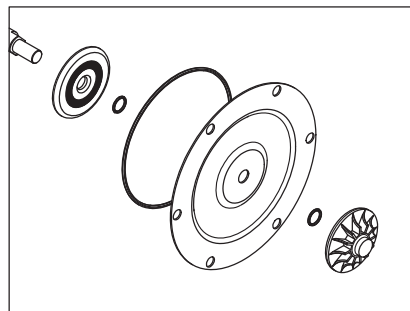
2-⑬

25GH 25VH
25GS 25VS



2-⑭

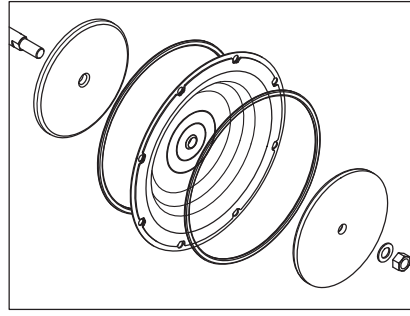
25GT 25VT



2

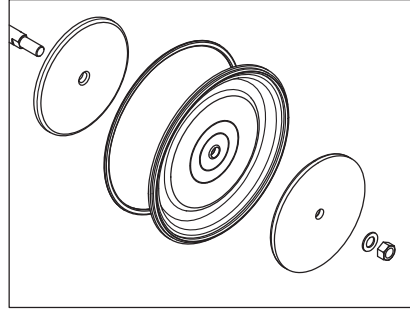
2-^⑮

40AC 40SC
40AN 40SN
40AE 40SE
40AV 40SV



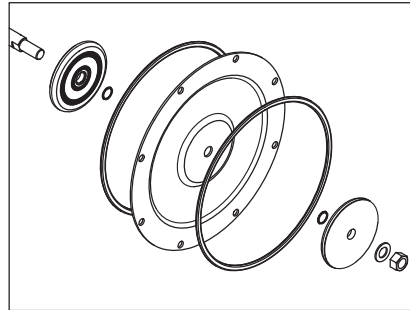
2-^⑯

40AH 40SH
40AS 40SS



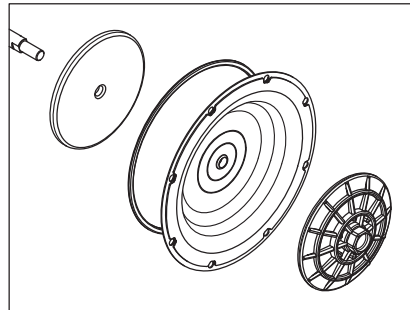
2-^⑰

40AT 40ST



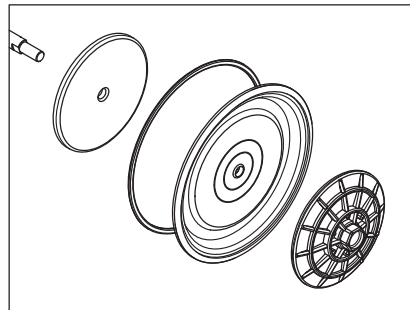
2-^⑱

40GC
40GN
40GE
40GV



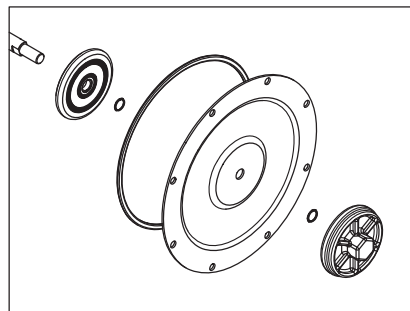
2-^⑲

40GH 40VS
40GS



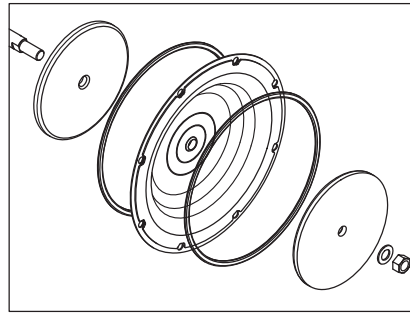
2-^⑳

40GT 40VT



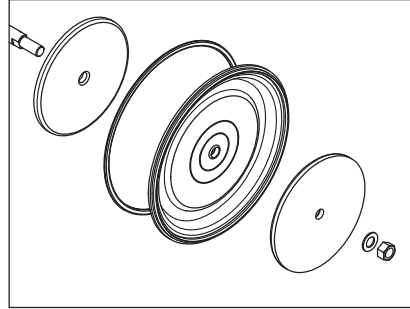
2-21

50AC 50SC 50FC
50AN 50SN 50FN
50AE 50SE 50FE
50AV 50SV 50FV



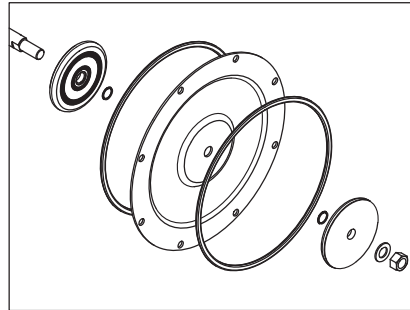
2-22

50AH 50SH 50FH
50AS 50SS 50FS



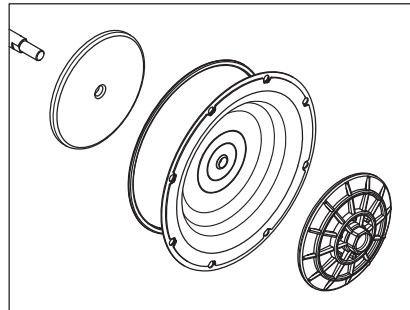
2-23

50AT 50ST 50FT



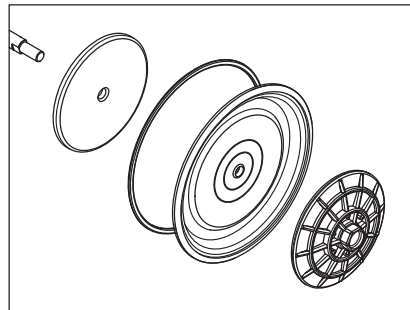
2-24

50GC 50VE
50GN 50VV
50GE
50GV



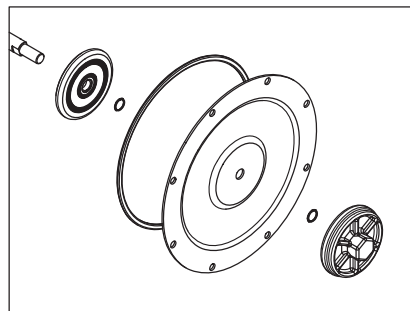
2-25

50GH 50VH
50GS 50VS



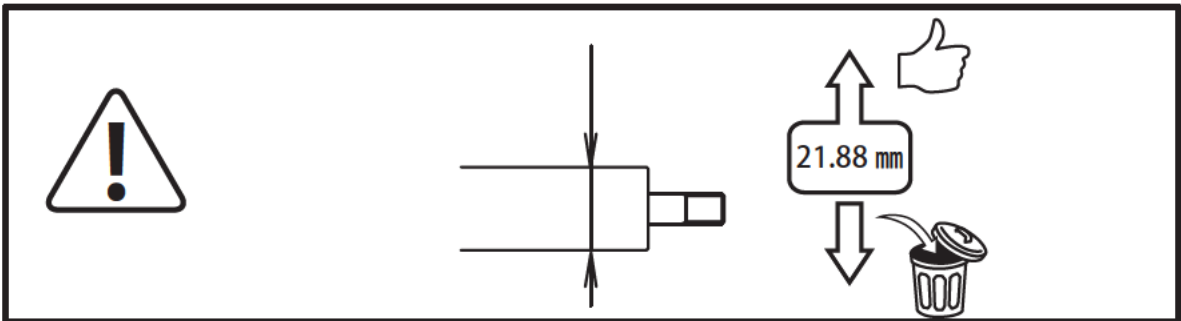
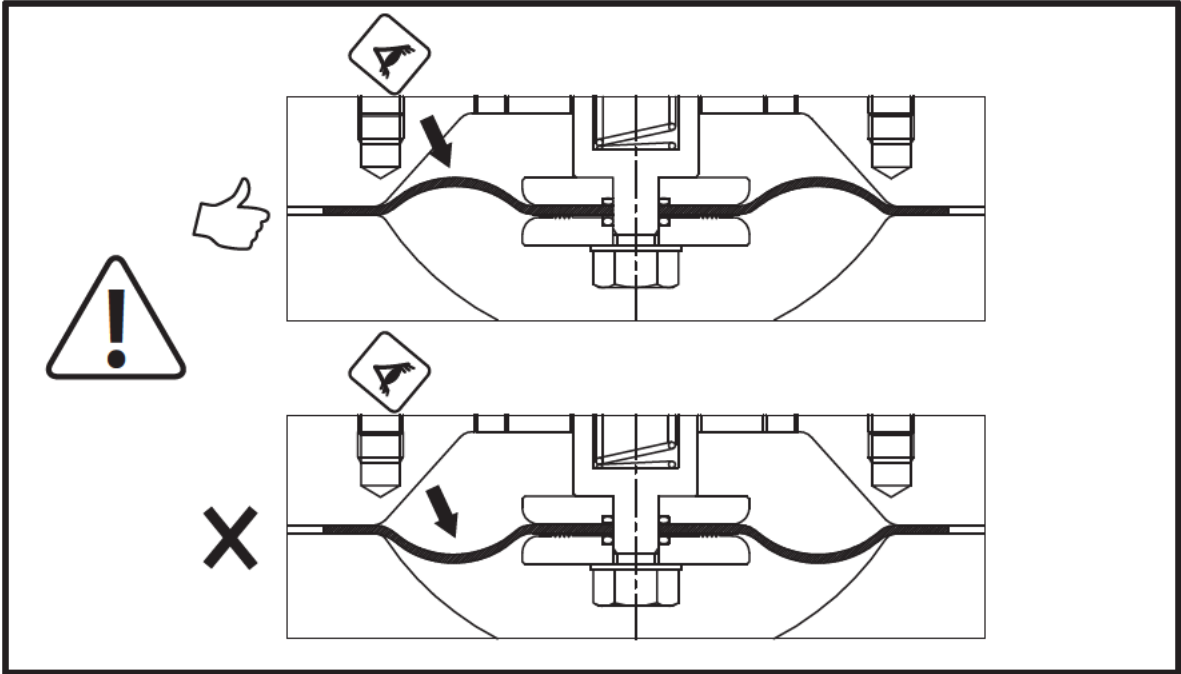
2-26

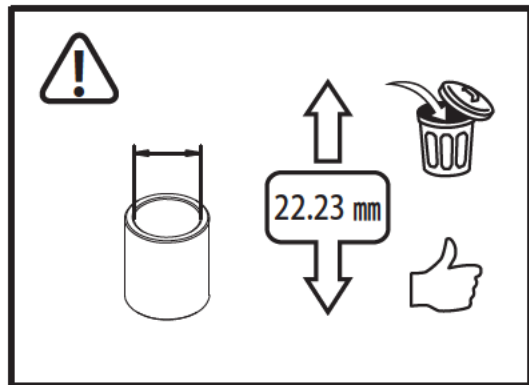
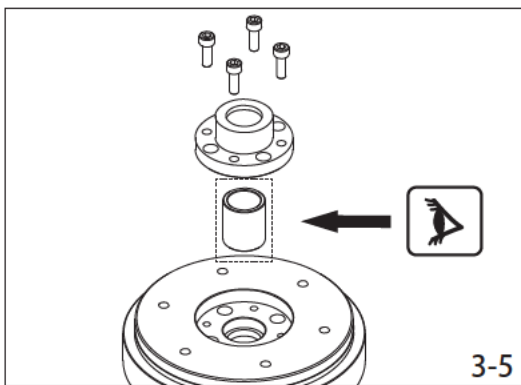
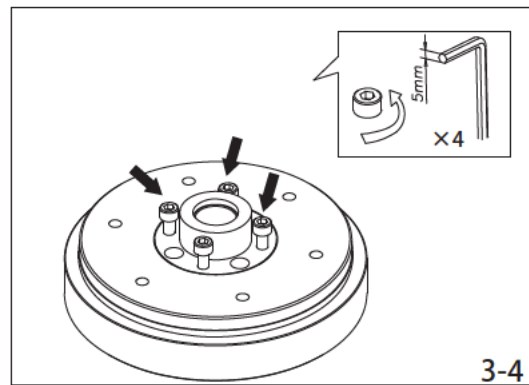
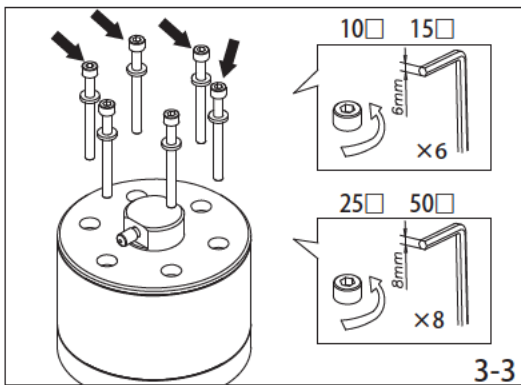
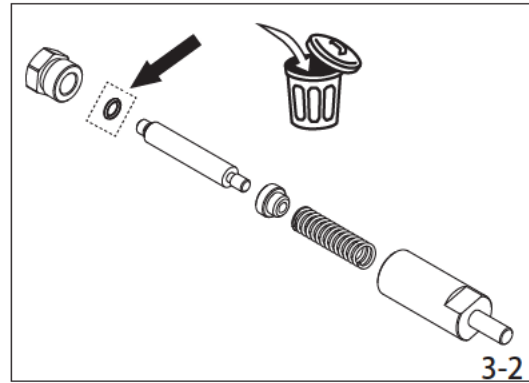
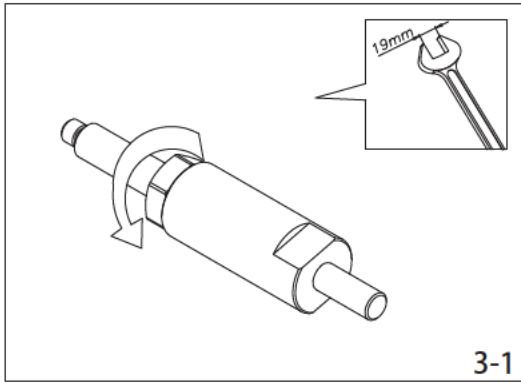
50GT 50VT



2

2-①~②⑥

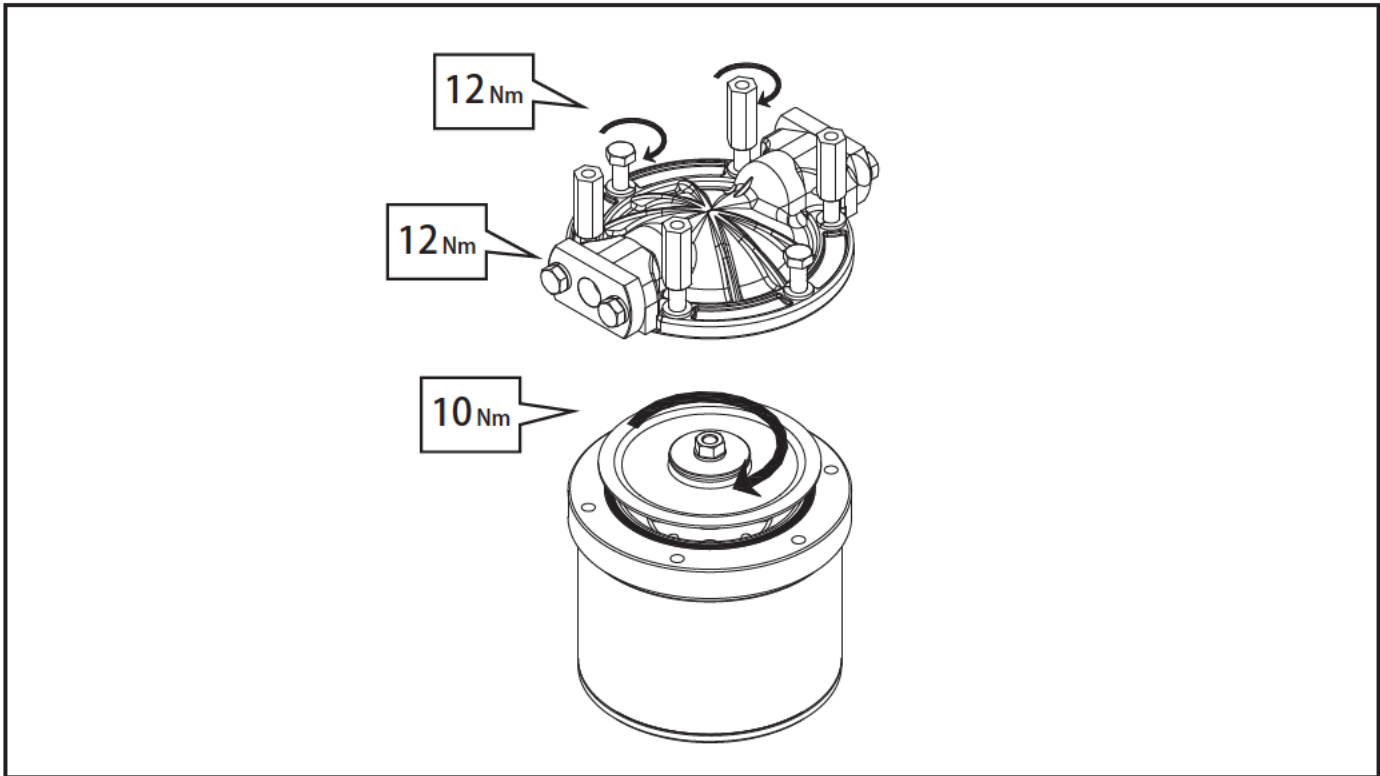
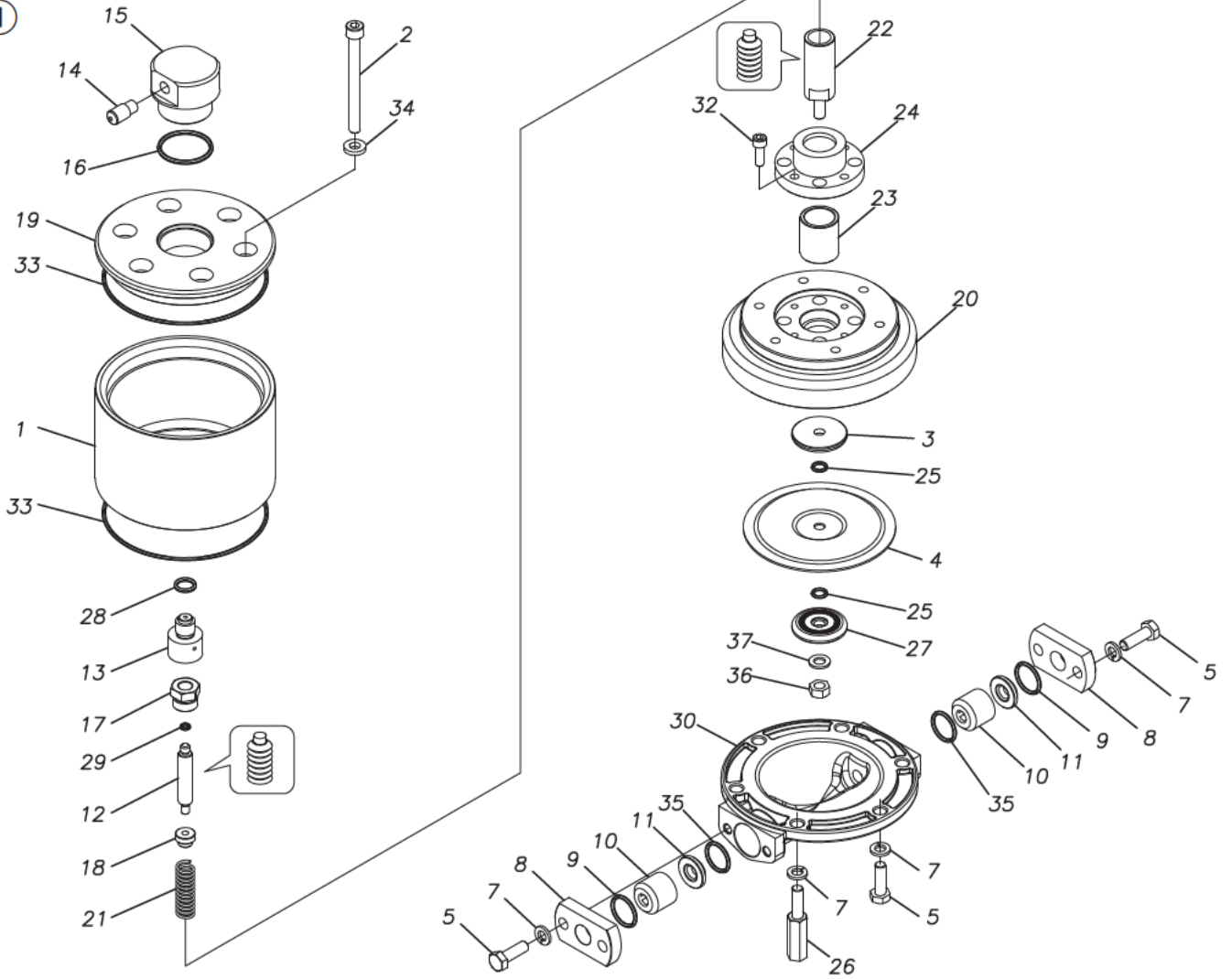




4

10A□ 10S□

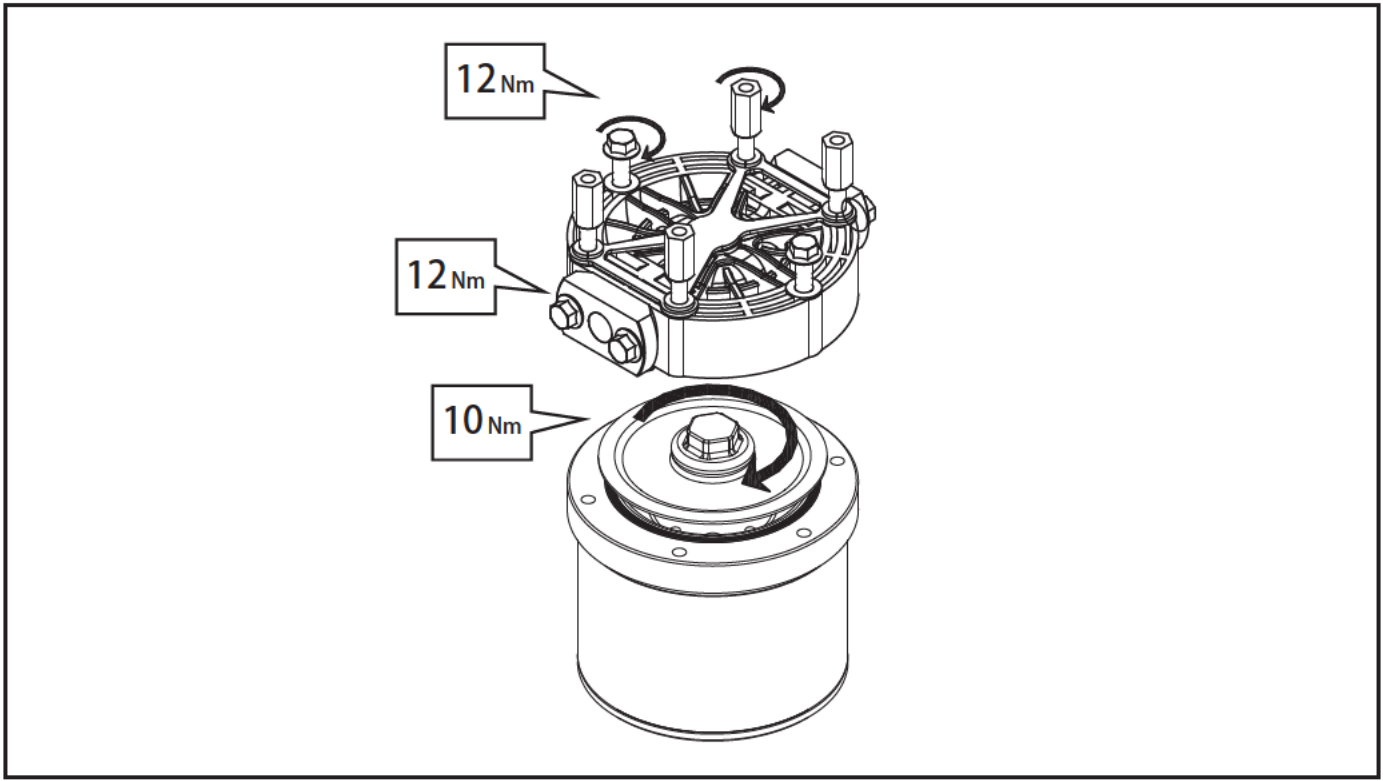
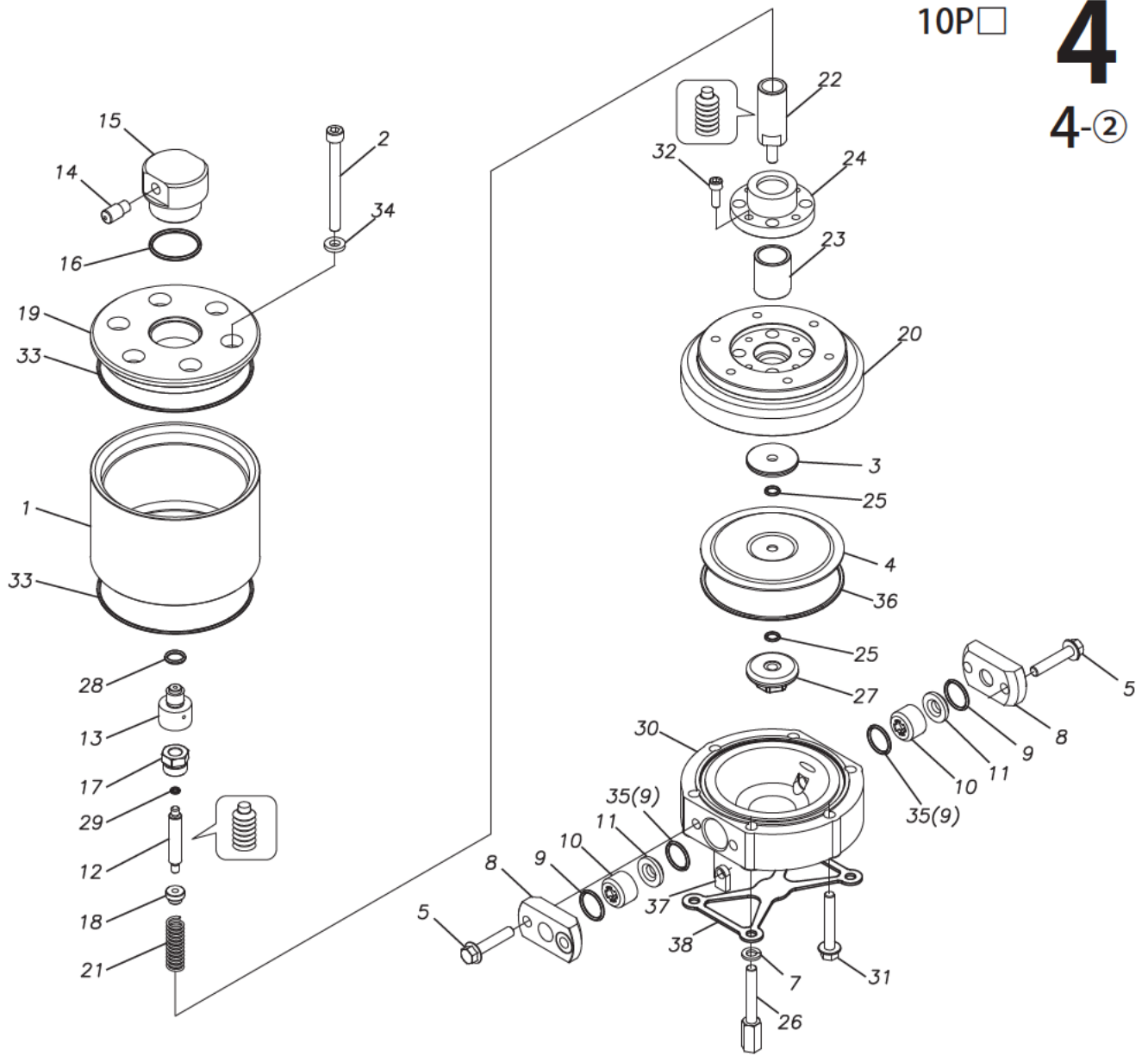
4-①



10P□

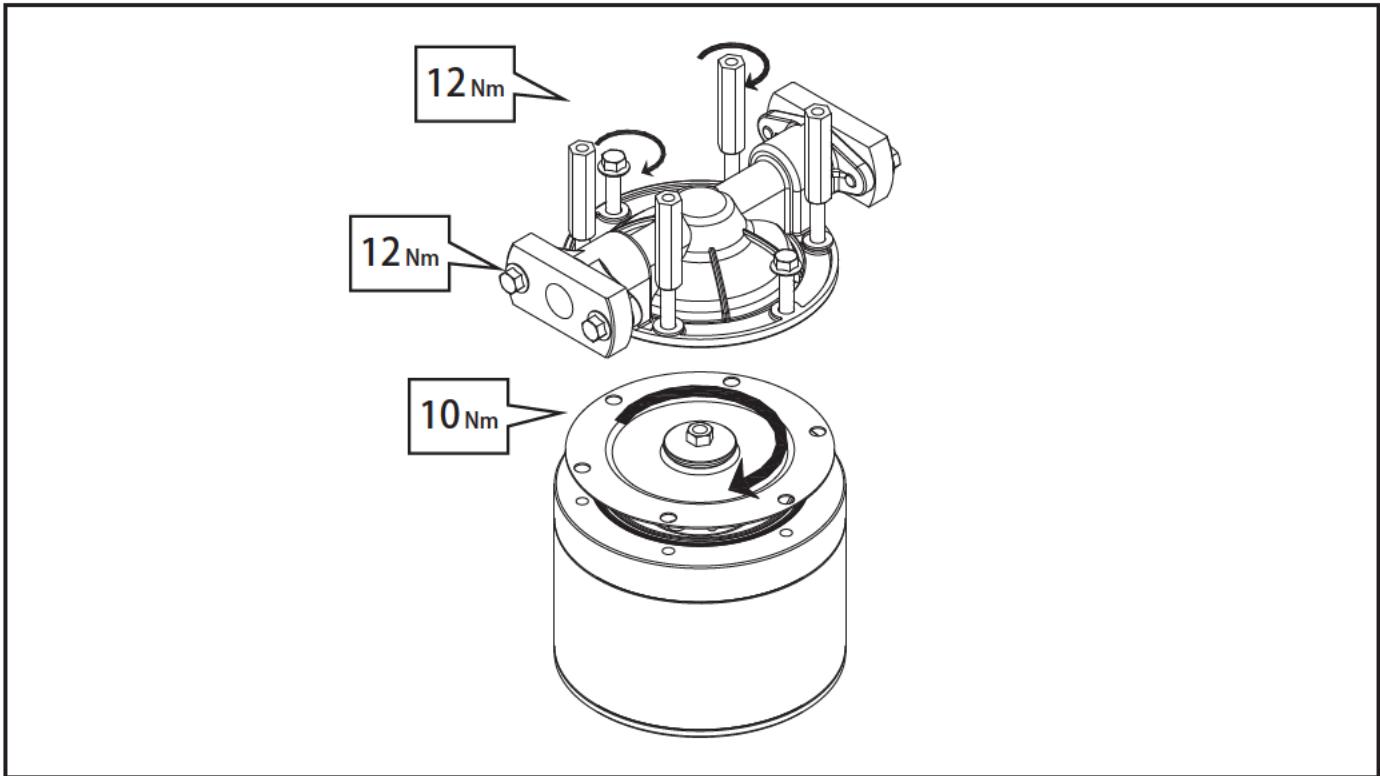
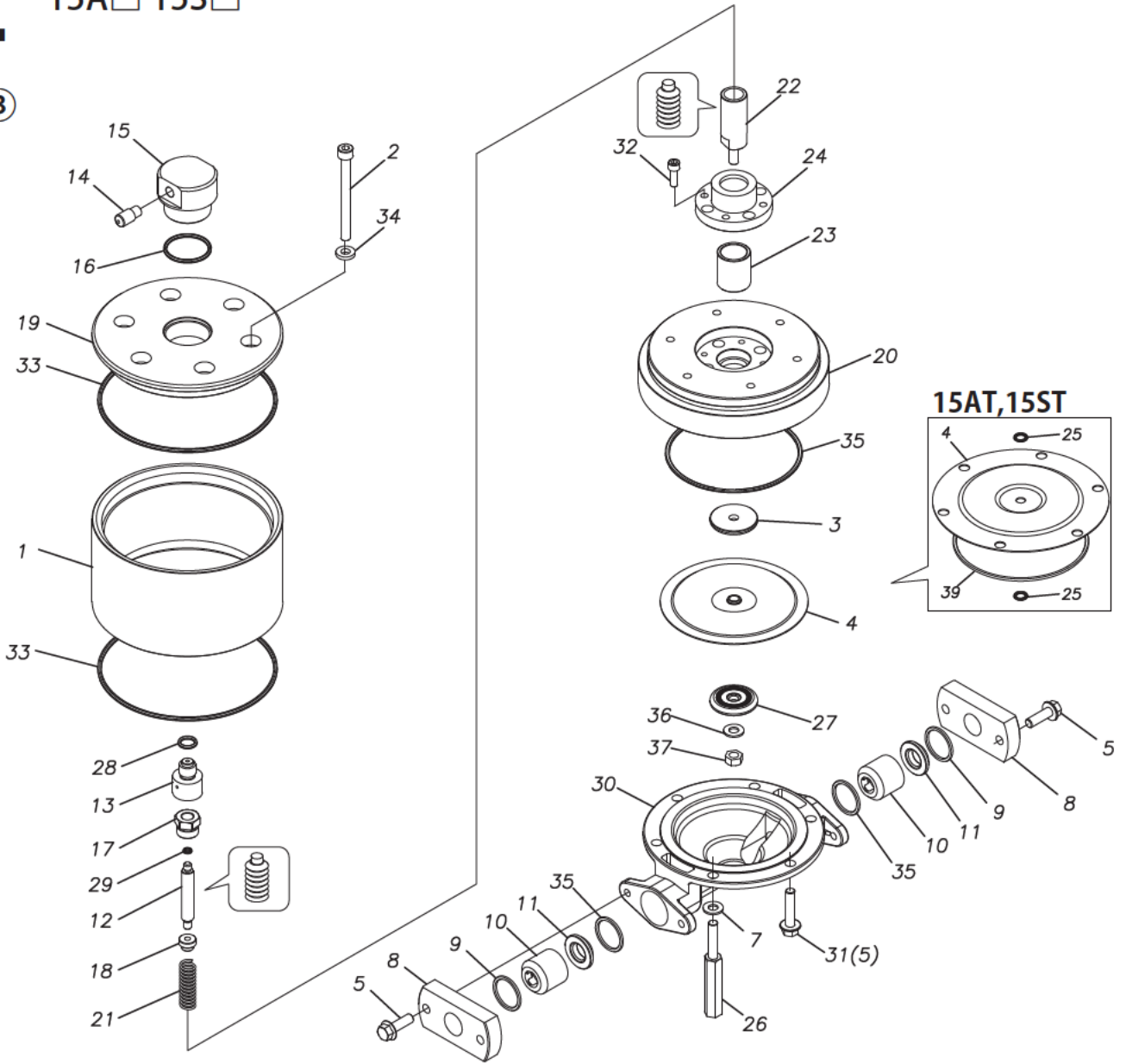
4

4-②



4 15A□ 15S□

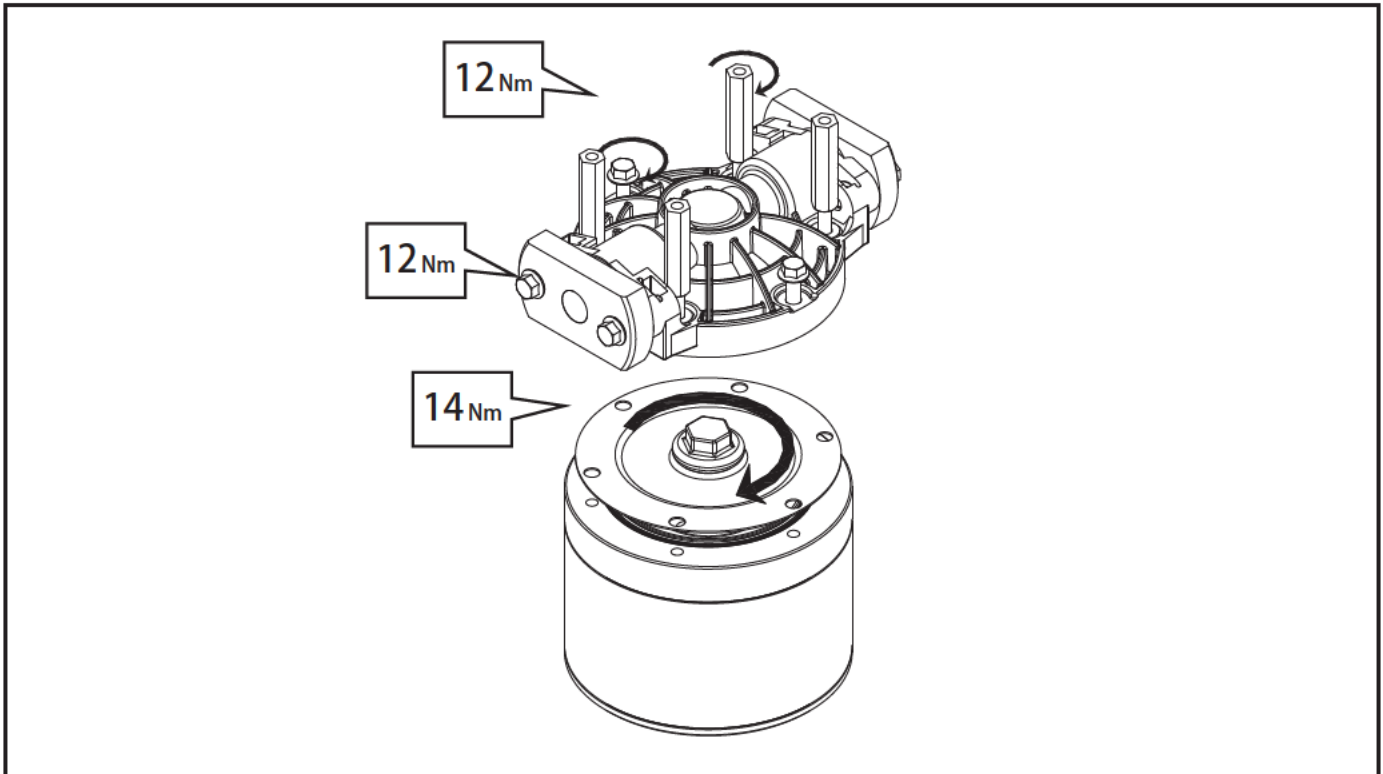
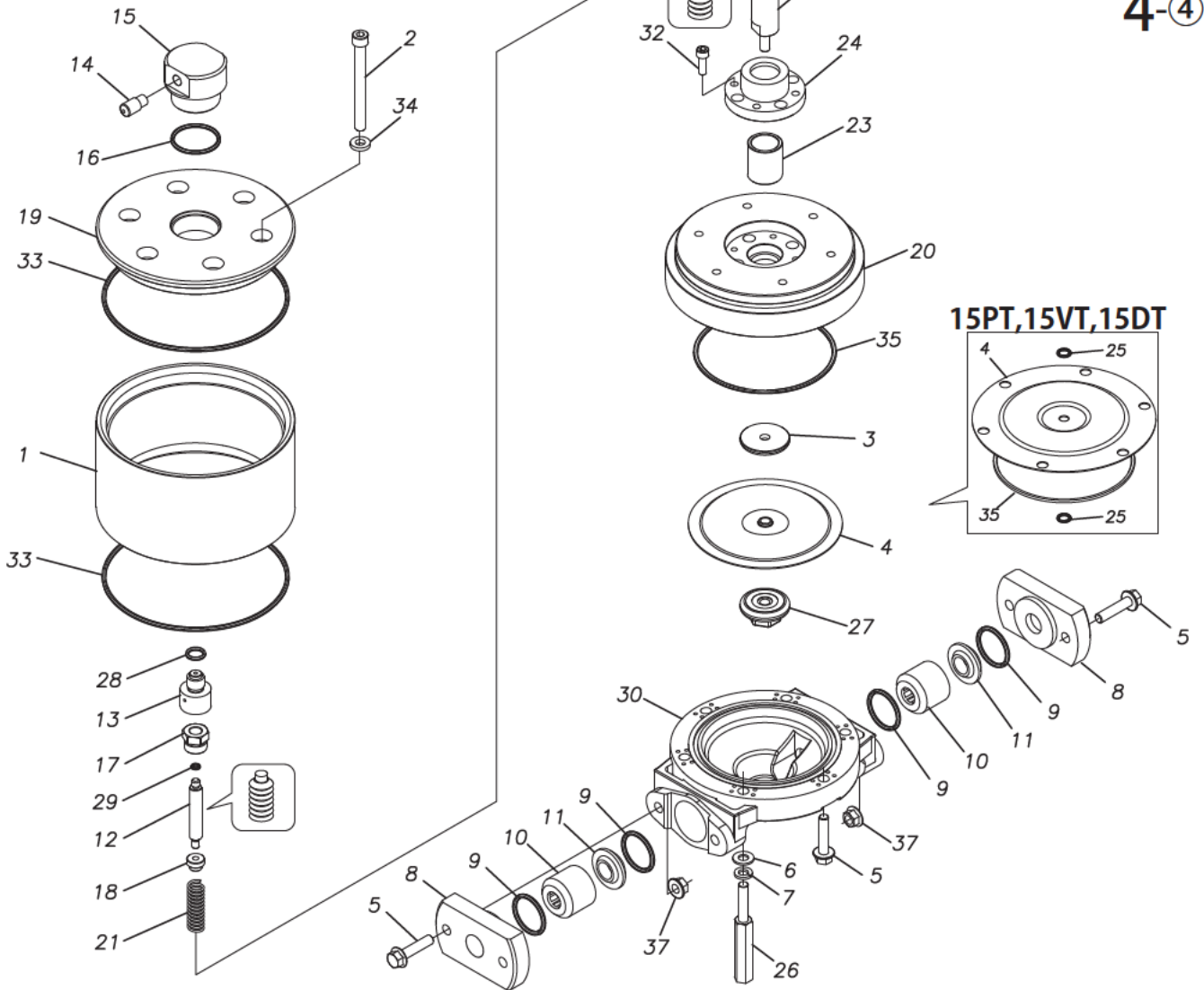
4-③



15P □ 15V □ 15D □

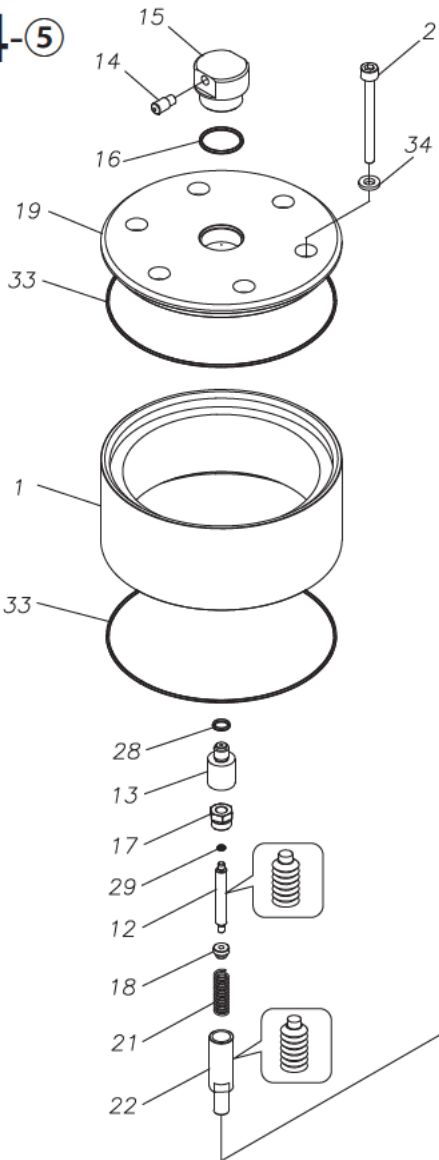
4

4-④

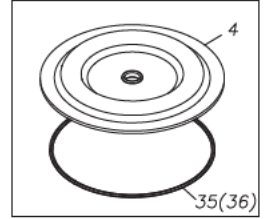


4 25A□ 25S□

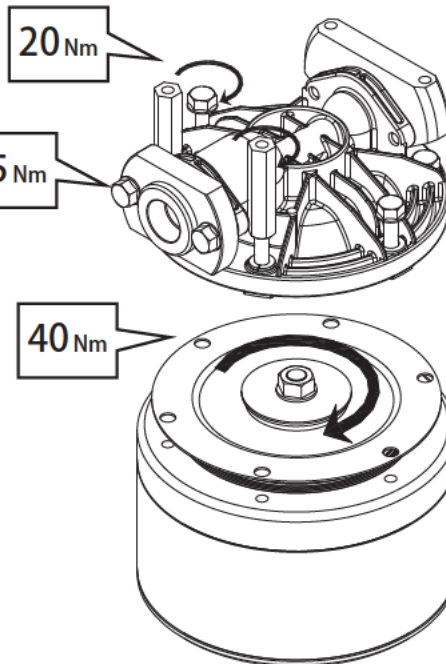
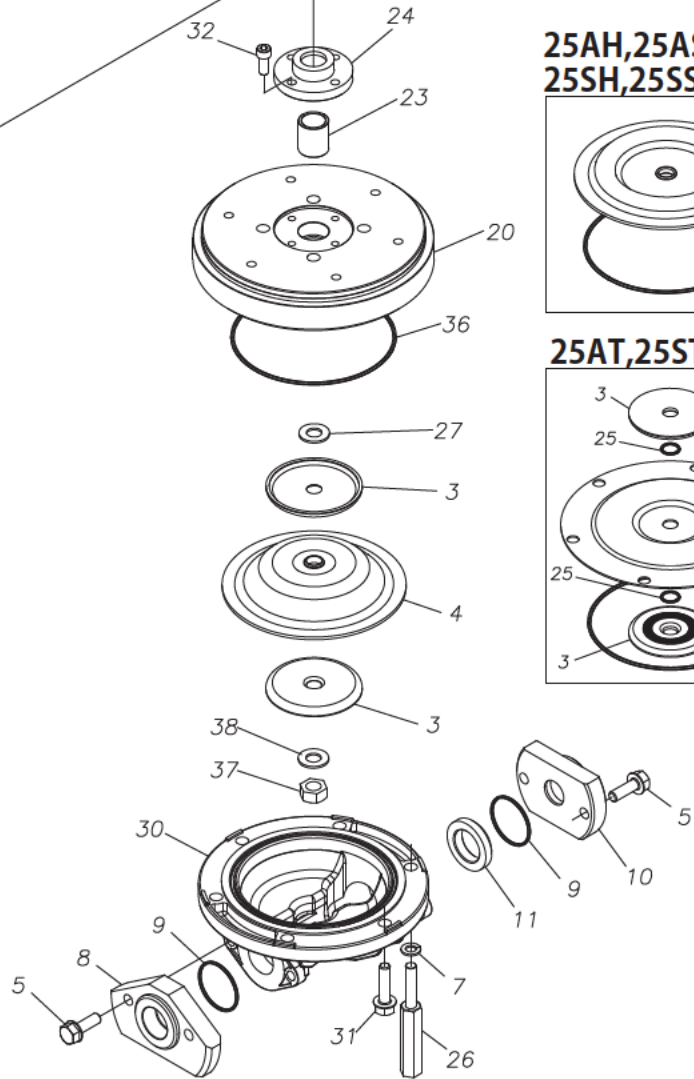
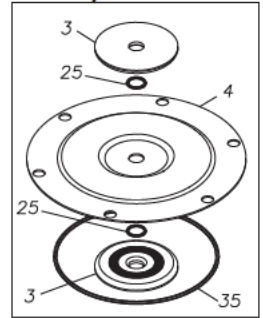
4-⑤

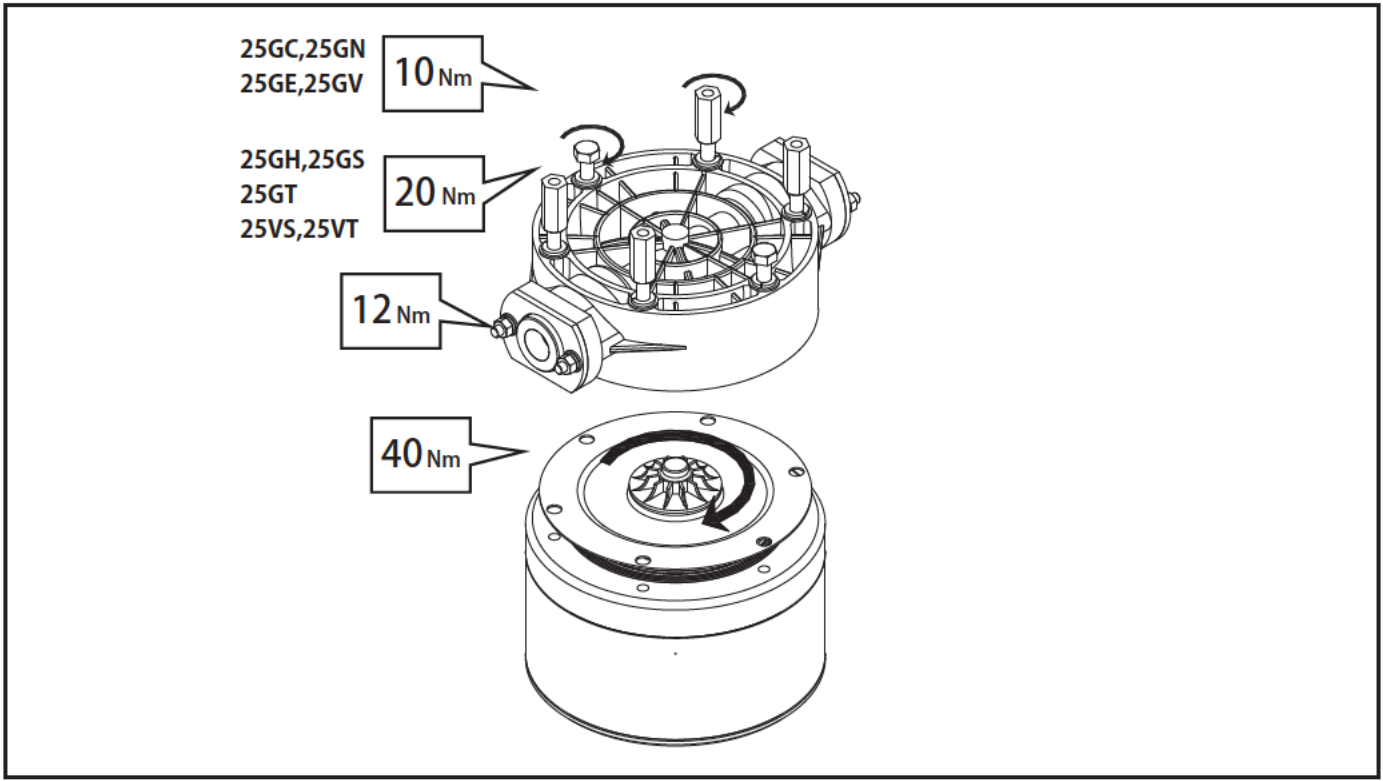
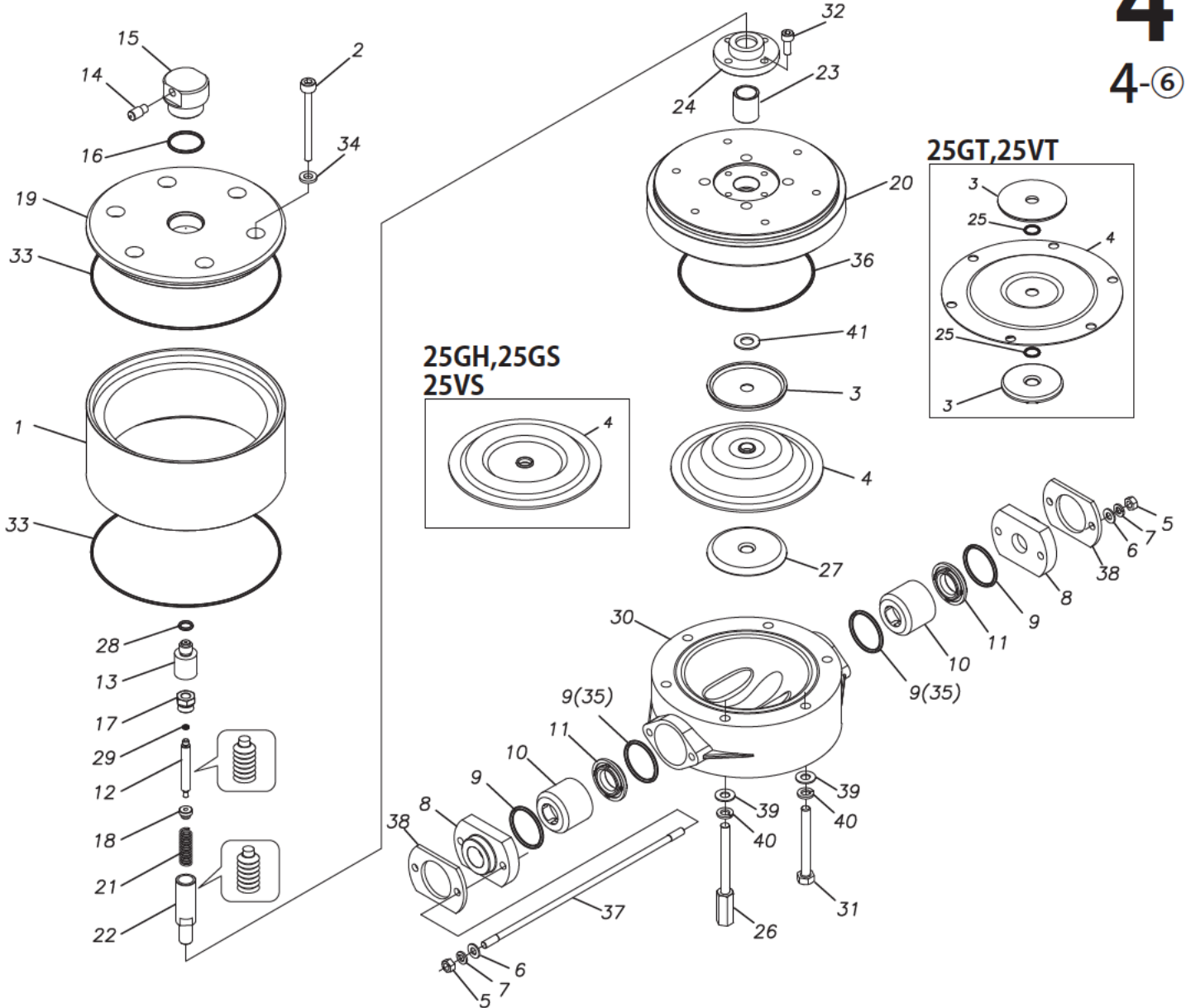


**25AH,25AS
25SH,25SS**



25AT,25ST

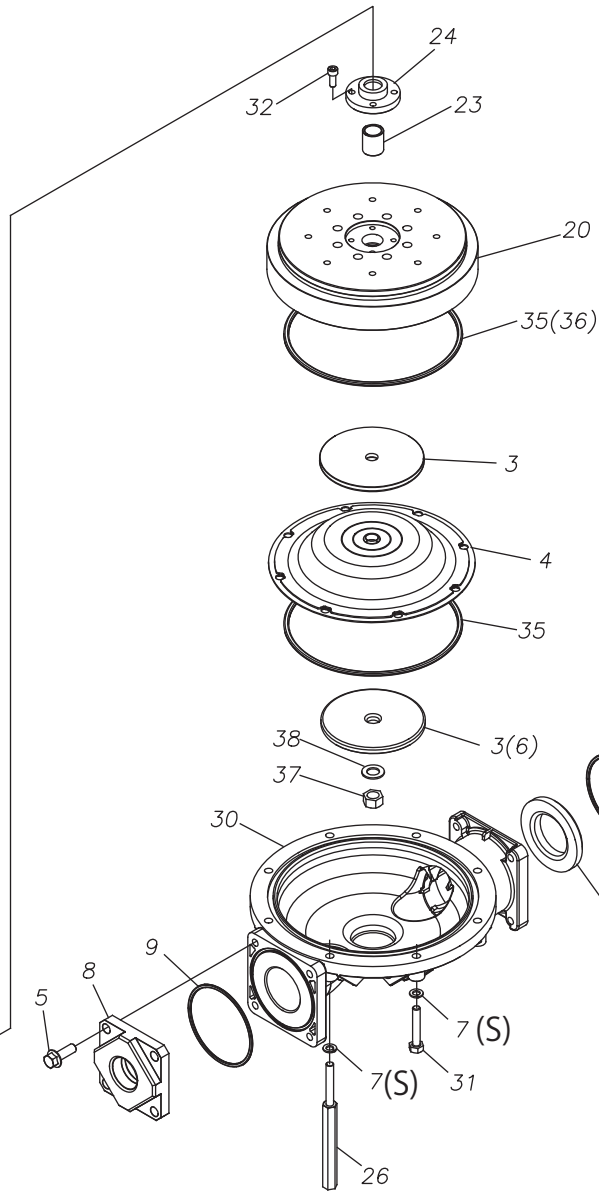
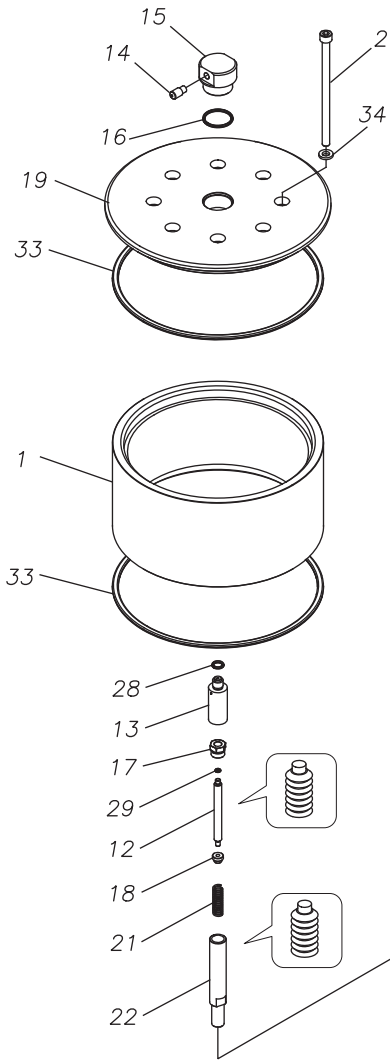




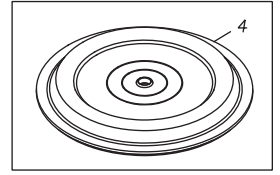
4

40A □ 40S □

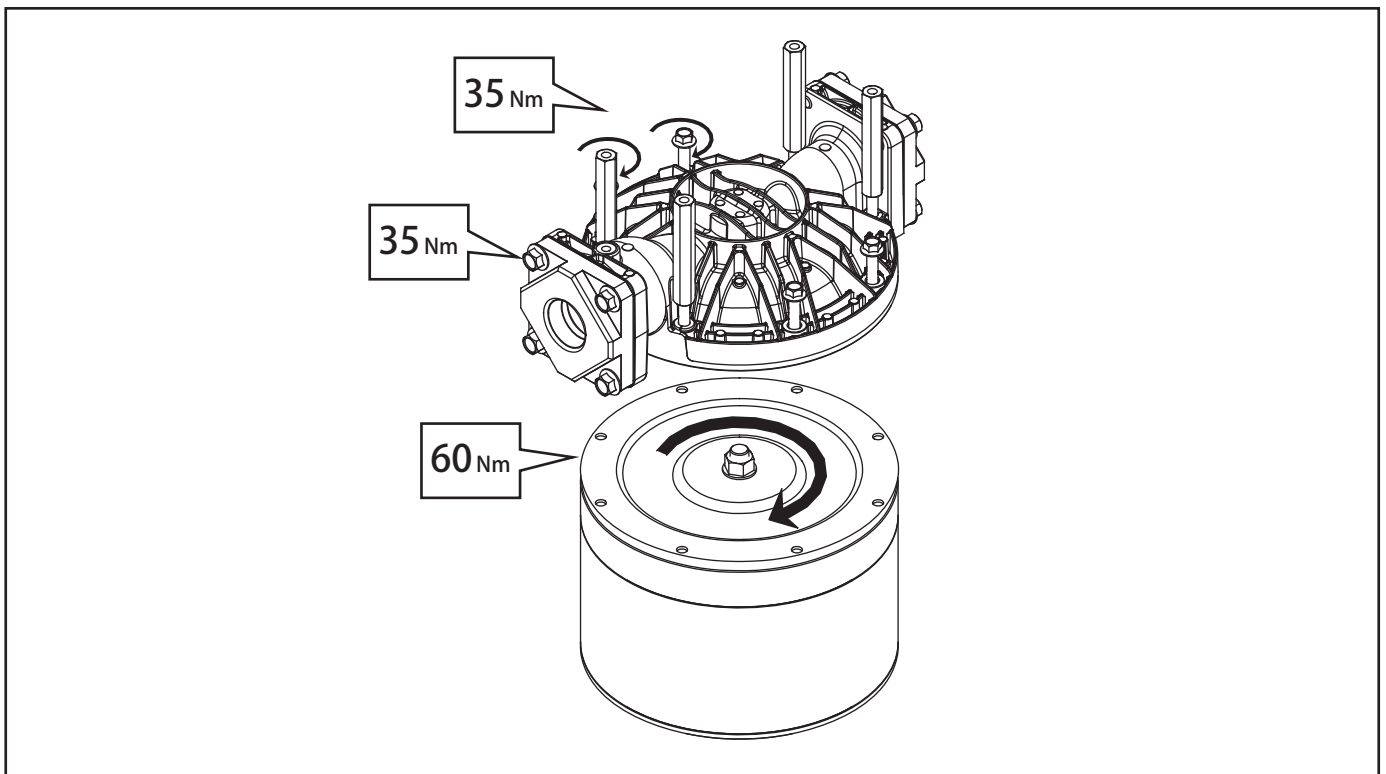
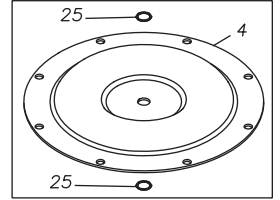
4-⑦

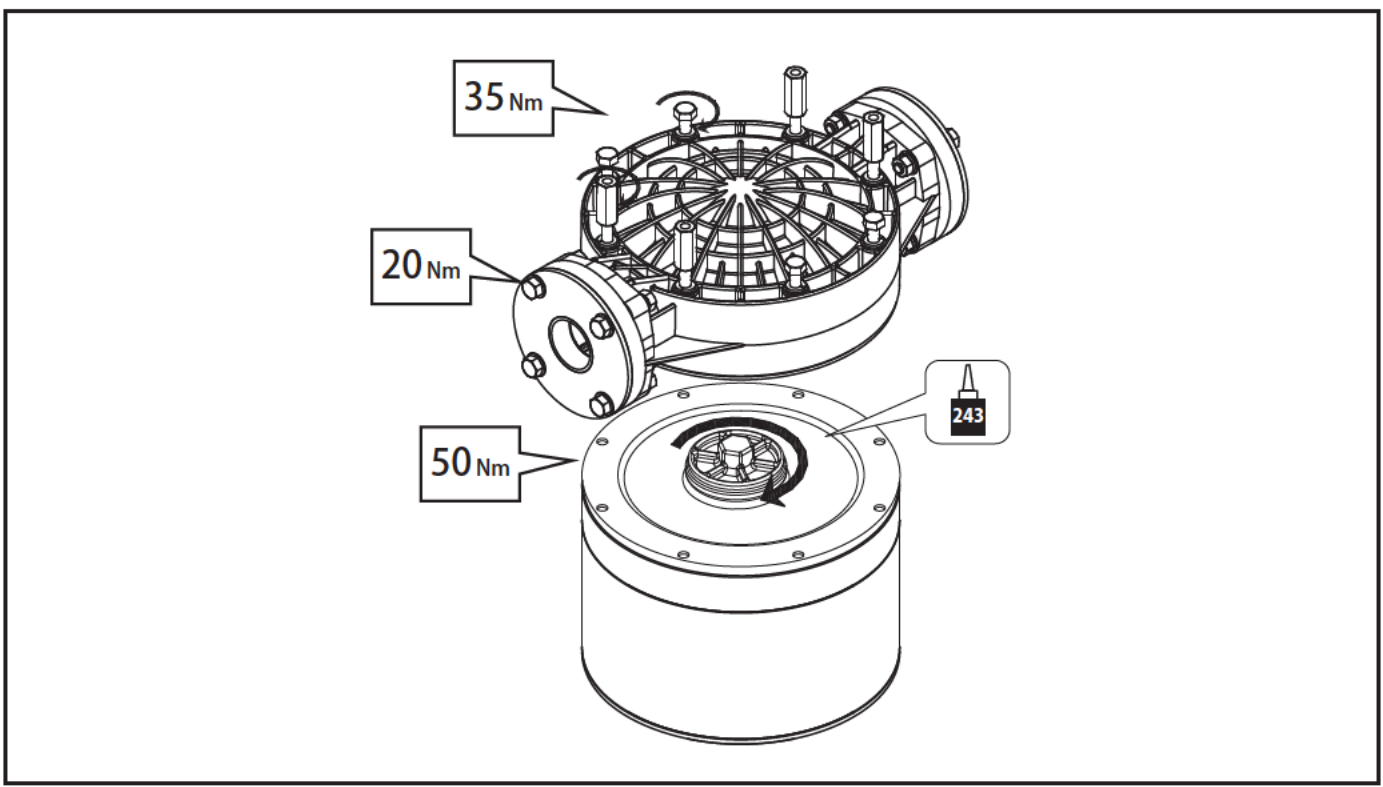
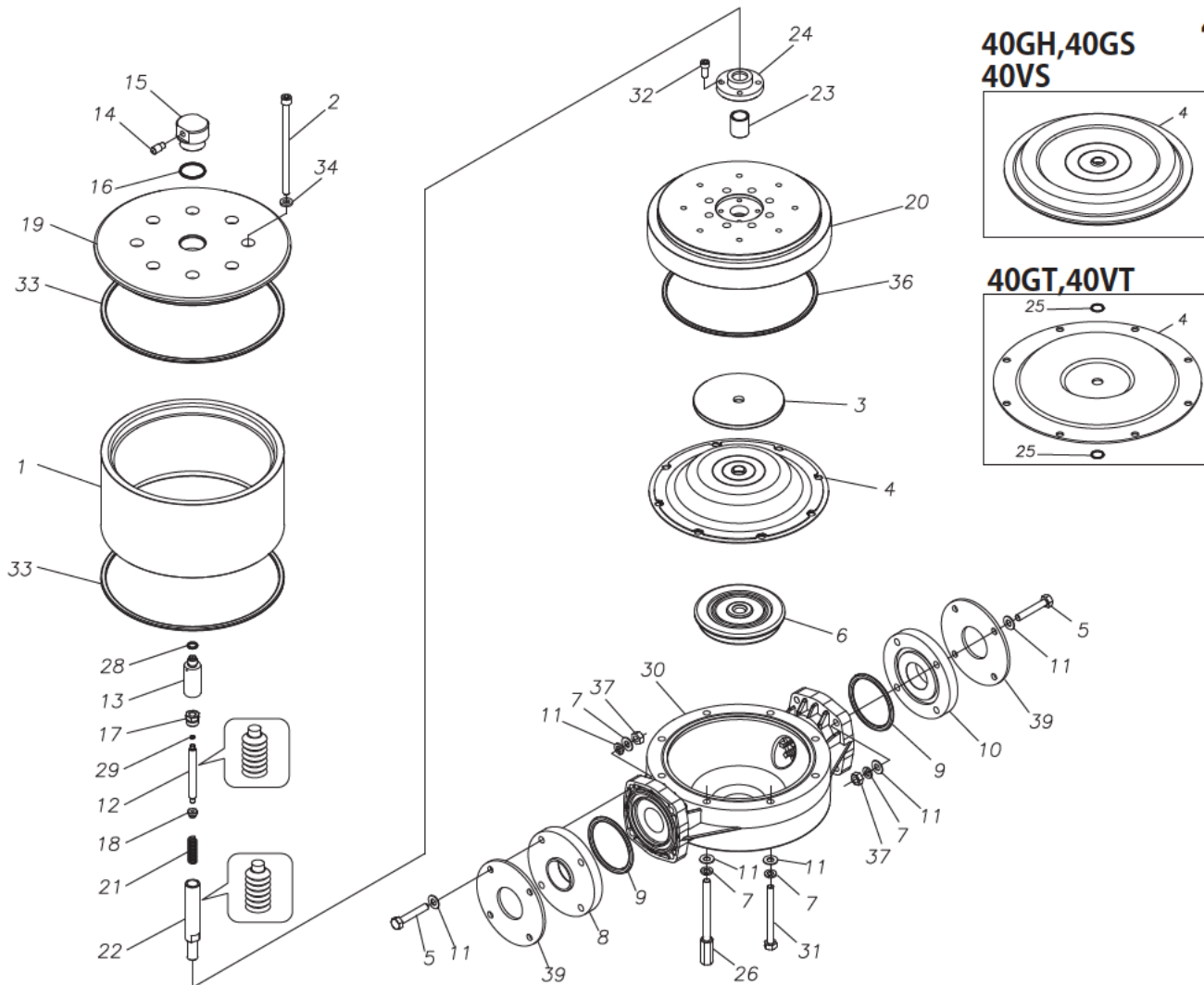


**40AH,40AS
40SH,40SS**



40AT,40ST

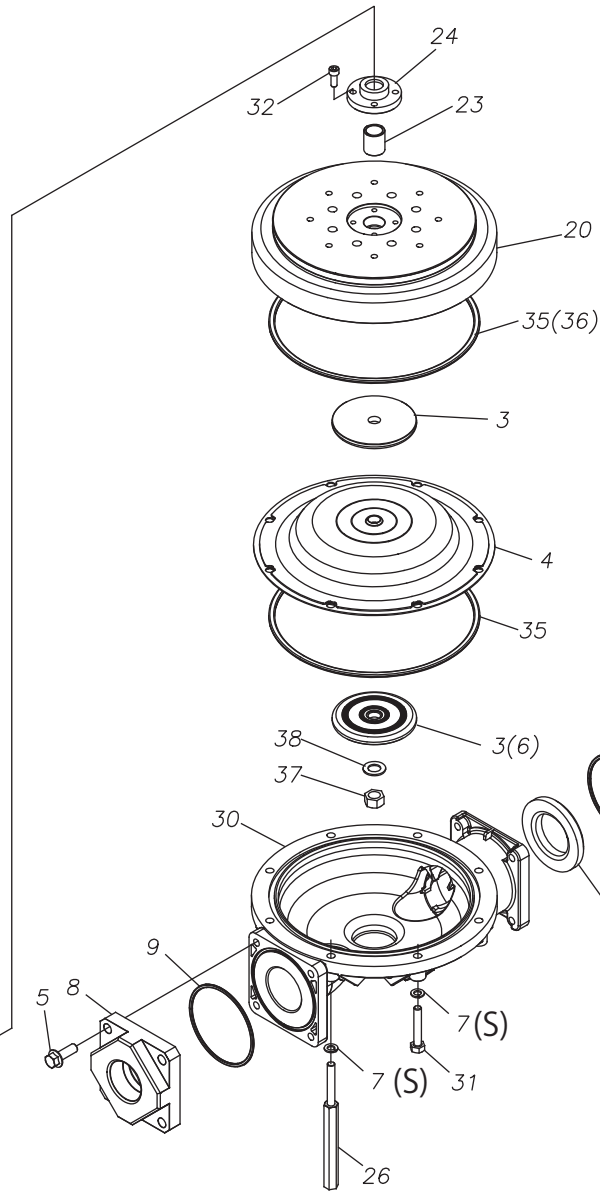
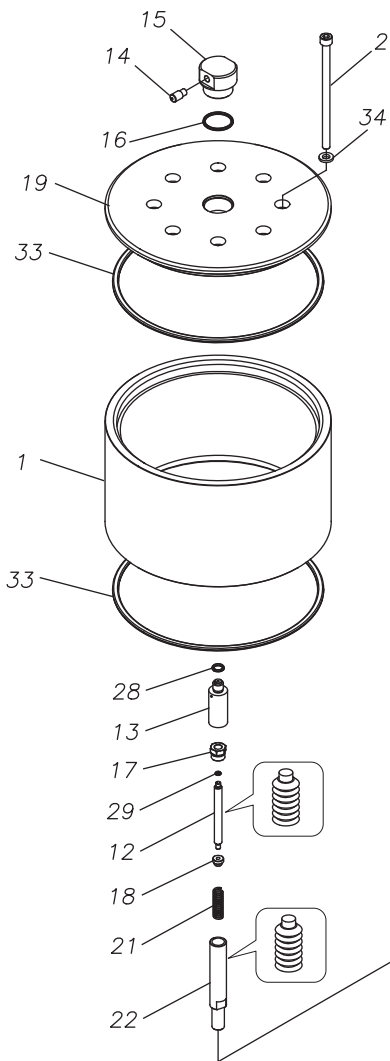




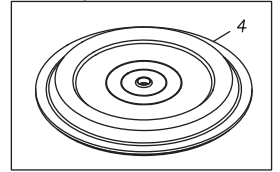
4

50A□ 50S□ 50F□

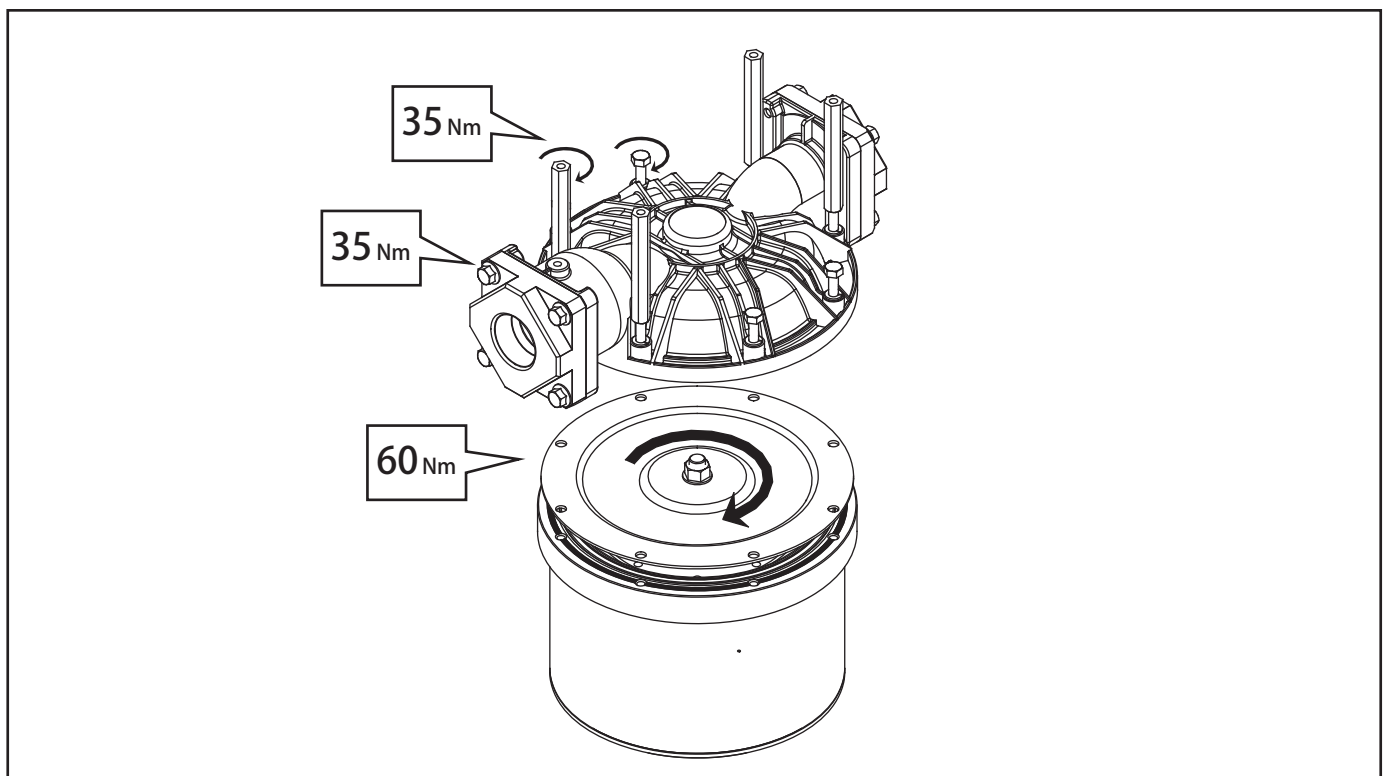
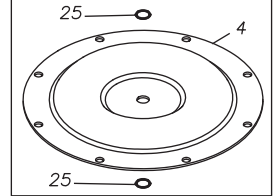
4-⑨



50AH,50AS
50SH,50SS
50FH,50FS

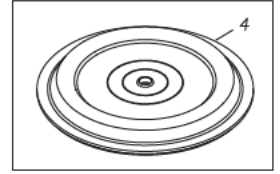


50AT,50ST,50FT



50GH,50GS
50VS

4-10



50GT,50VT

