

# **TC-X**

## Exploded View Drawing and Parts List

Model: **CF-X40GT**

Model Number: **1L00355MP**

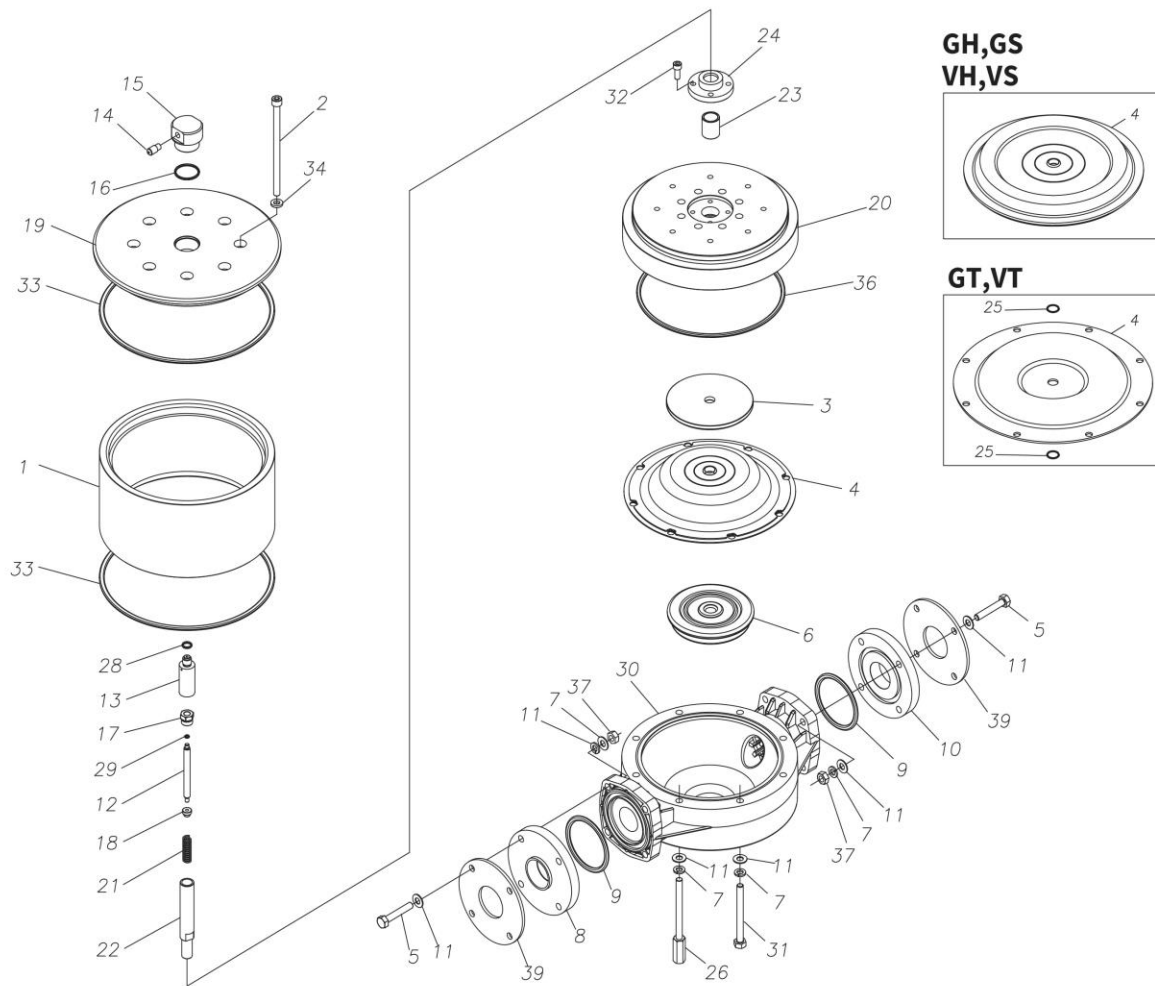
The part list and exploded view drawing as attached below indicate the full list of parts for the above mentioned pump model.

When ordering parts take care to select the correct model pump and required parts. Also be aware that models may change over time as improvements are made so cross-referencing the pumps serial number assembly date and service code are also recommended.

If you require specific spare parts you can also use this form to place your order.

For more information specific to your pump please refer to the pumps Service Book and Operation Manual available separately.

Please contact your Pump Distributor directly for more information.



■ Parts List

CF-X40GT

1L00355MP

Ref.No.	Parts No.	Description	Parts Component	Remark
1	1L30068MM	AIR CHAMBER	1	
2	9B3291002	BOLT M10 × 140	8	
3	1L20021MM	CENTER DISK	1	
4	1L20001T7	DIAPHRAGM	1	
5	9B1221060	BOLT M10 × 60	8	
6	1L20022PB	CENTER DISK	1	
7	9W2211000	SPRING LOCK WASHER M10	16	
8	1L20050PP	FLANGE OUT	1	
9	9S1TP0085	O RING P-85	2	
10	1L20049PP	FLANGE IN	1	
11	9W1211000	PLAIN WASHER M10	24	
12	1M30045MM	VALVE	1	
13	1M30046MM	VALVE SEAT	1	
14	1D90004MP	SILENCER	1	
15	1M10011MP	VALVE ASSEMBLY	1	
16	9S1BG0035	O RING G-35	1	
17	1D30055MM	STOPPER CENTER ROD	1	
18	1D30056MM	STOPPER VALVE	1	
19	1L30069MM	AIR CHAMBER UPPER	1	
20	1L30070MM	AIR CHAMBER LOWER	1	
21	1D30059MM	SPRING	1	
22	1L20047TM	CENTER ROD	1	
23	1D30060MM	BEARING CENTER ROD	1	
24	1H30124MM	CASE BEARING	1	

Ref.No.	Parts No.	Description	Parts Component	Remark
25	9S1TP0016	O RING P-16	2	
26	1L30078MM	STUD	4	
28	9S1BP0012	O RING P-12	1	
29	9S1B90008	O RING P-4	1	
30	1L20015PM	OUT CHAMBER	1	
31	9B1291000	BOLT M10 × 105	4	
32	9B3410820	BOLT M8 × 20	4	
33	9S1BM0250	O RING GS-250	2	
34	1H30127MB	SEAL WASHER	8	
36	9S1BG0230	O RING G-230	1	
37	9N1211000	NUT M10	8	
39	1L30079MM	REINFORCEMENT PLATE	2	