

TC-X

Exploded View Drawing and Parts List

Model: **TC-X200AT-A**

Model Number: **1H00299MP-20Y**

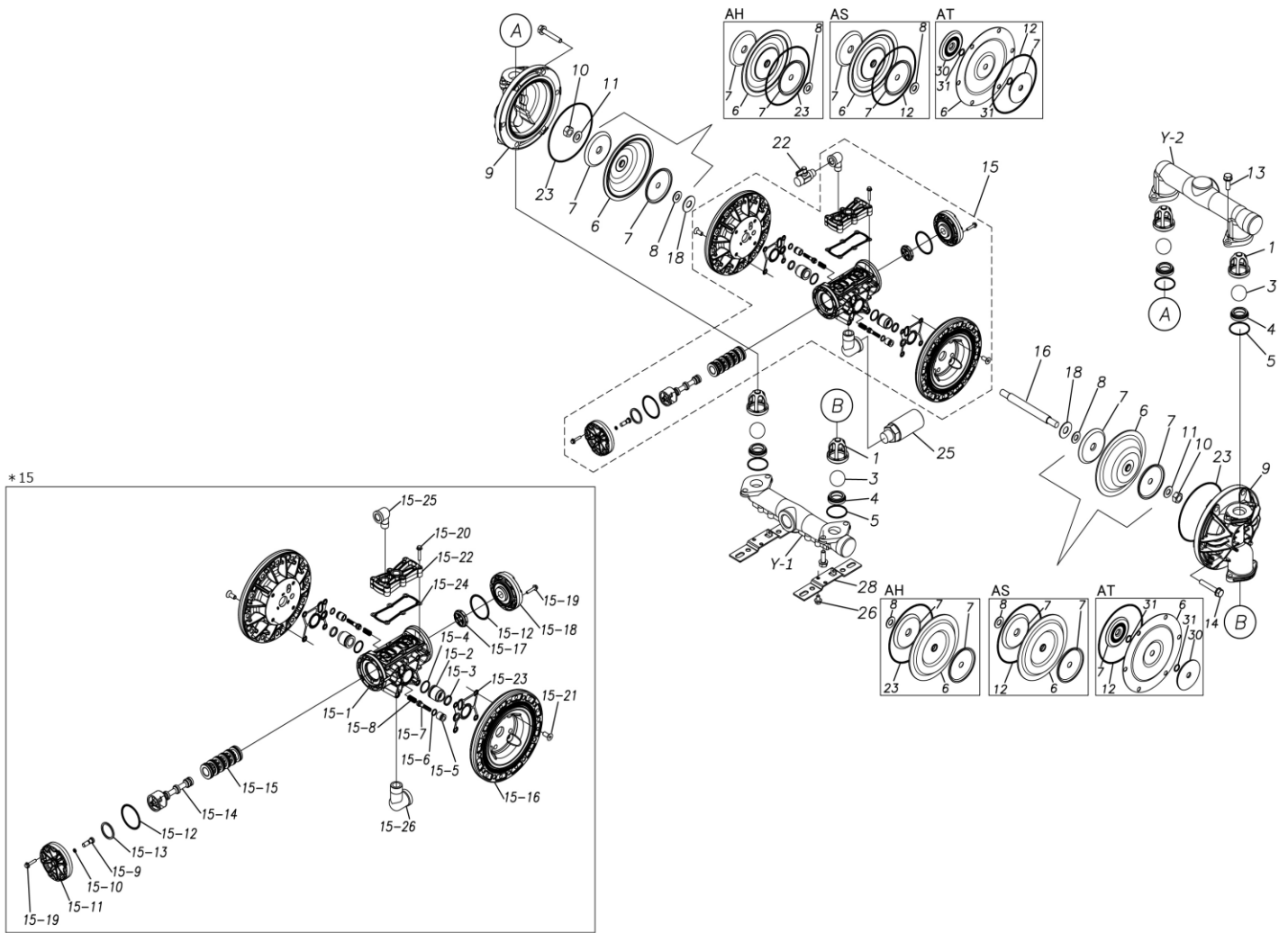
The part list and exploded view drawing as attached below indicate the full list of parts for the above mentioned pump model.

When ordering parts take care to select the correct model pump and required parts. Also be aware that models may change over time as improvements are made so cross-referencing the pumps serial number assembly date and service code are also recommended.

If you require specific spare parts you can also use this form to place your order.

For more information specific to your pump please refer to the pumps Service Book and Operation Manual available separately.

Please contact your Pump Distributor directly for more information.



■ Parts List

TC-X200AT-A

1H00299MP-20Y

Ref.No.	Parts No.	Description	Parts Component	Remark
1	1H20100MM	VALVE STOPPER	4	
3	1H20019TM	BALL	4	
4	1H20005TM	VALVE SEAT	4	
5	9S1TG0045	O RING G-45	4	
6	1H20028T5	DIAPHRAGM	2	
7	1H20026TM	CENTER DISK	2	
9	1H20001AM	OUT CHAMBER	2	
10	9N1311400	NUT M14 × 1.5	2	
11	9W3311400	CONED DISK SPRING M14	2	
12	9S1BG0145	O RING G-145	2	
13	9B2111030	BOLT M10 × 30	8	
14	9B2111040	BOLT M10 × 40	12	
15	1H10037MP	BODY ASSEMBLY	1	

Ref.No.	Parts No.	Description	Parts Component	Remark
15-1	1H30097MM	BODY	1	The parts of #15 are available with a set as [1H10037MP:BODY ASSEMBLY]. This is also available individually.
15-2	1H30107MM	THROAT BEARING	2	
15-3	9S2BA0018	PACKING	2	
15-4	9S1BJ2023	O RING JASO-2023	2	
15-5	1H30108MM	PILOT VALVE SEAT	2	
15-6	9S1BJ1011	O RING JASO-1011	2	
15-7	1H10009MK	PILOT VALVE ASSEMBLY	2	
15-8	1H30020MM	SPRING	2	
15-9	1H30028MM	RESET BUTTON	1	
15-10	9S1BP0005	O RING P-5	1	
15-11	1H30101MB	CAP A	1	
15-12	9S1BG0055	O RING G-55	2	
15-13	1H30032MB	PACKING	1	
15-14	1H10002MK	C SPOOL ASSEMBLY (Looped C®)	1	
15-14-1	1H30023MM	SEAL RING	5	The parts of #15-14 are available with a set as [1H10002MK:C SPOOL ASSEMBLY (Looped C®)]. This is also available individually.
15-15	1H10006MK	SLEEVE ASSEMBLY	1	The parts of #15 are available with a set as [1H10037MP:BODY ASSEMBLY]. This is also available individually.
15-15-1	9S1BJ2030	O RING JASO-2030	6	The parts of #15-15 are available with a set as [1H10006MK:SLEEVE ASSEMBLY]. This is also available individually.
15-16	1H30098MM	AIR CHAMBER	2	The parts of #15 are available with a set as [1H10037MP:BODY ASSEMBLY]. This is also available individually.
15-17	1H30030MB	CUSHION	1	
15-18	1H30099MB	CAP B	1	
15-19	9B2210525	BOLT M5 × 25	8	
15-20	9B2210530	BOLT M5 × 30	6	
15-21	9B5410820	BOLT M8 × 20	8	
15-22	1H30100MP	COVER	1	
15-23	1H30102MB	PACKING BODY	2	
15-24	1H30103MB	PACKING COVER	1	
15-25	9P20P0303	STREET ELBOW R3/8 × Rc3/8	1	
15-26	9P20P0505	STREET ELBOW R3/4 × Rc3/4	1	
16	1H20036MM	CENTER ROD	1	
18	1H30016MB	CUSHION	2	
22	1H90002MP	BALL VALVE	1	
23	9S1TG0145	O RING G-145	2	
25	1H90003MK	SILENCER	1	
26	9B2210812	BOLT M8 × 12	2	
28	1H30001MB	BASE	2	
30	1H20027TM	CENTER DISK	2	
31	9S1TP0014	O RING P-14	4	
Y	1G10008MP	20 EQUIVALENT AL PT KIT	1	
Y-1	1G20022AP	IN MANIFOLD	1	The parts of #Y are available with a set as [1G10008MP:20 EQUIVALENT AL PT KIT]. This is also available individually.

Ref.No.	Parts No.	Description	Parts Component	Remark
Y-2	1G20023AP	OUT MANIFOLD	1	