

TC-X

Exploded View Drawing and Parts List

Model: **TC-X100HTA**

Model Number: **1D00079MN**

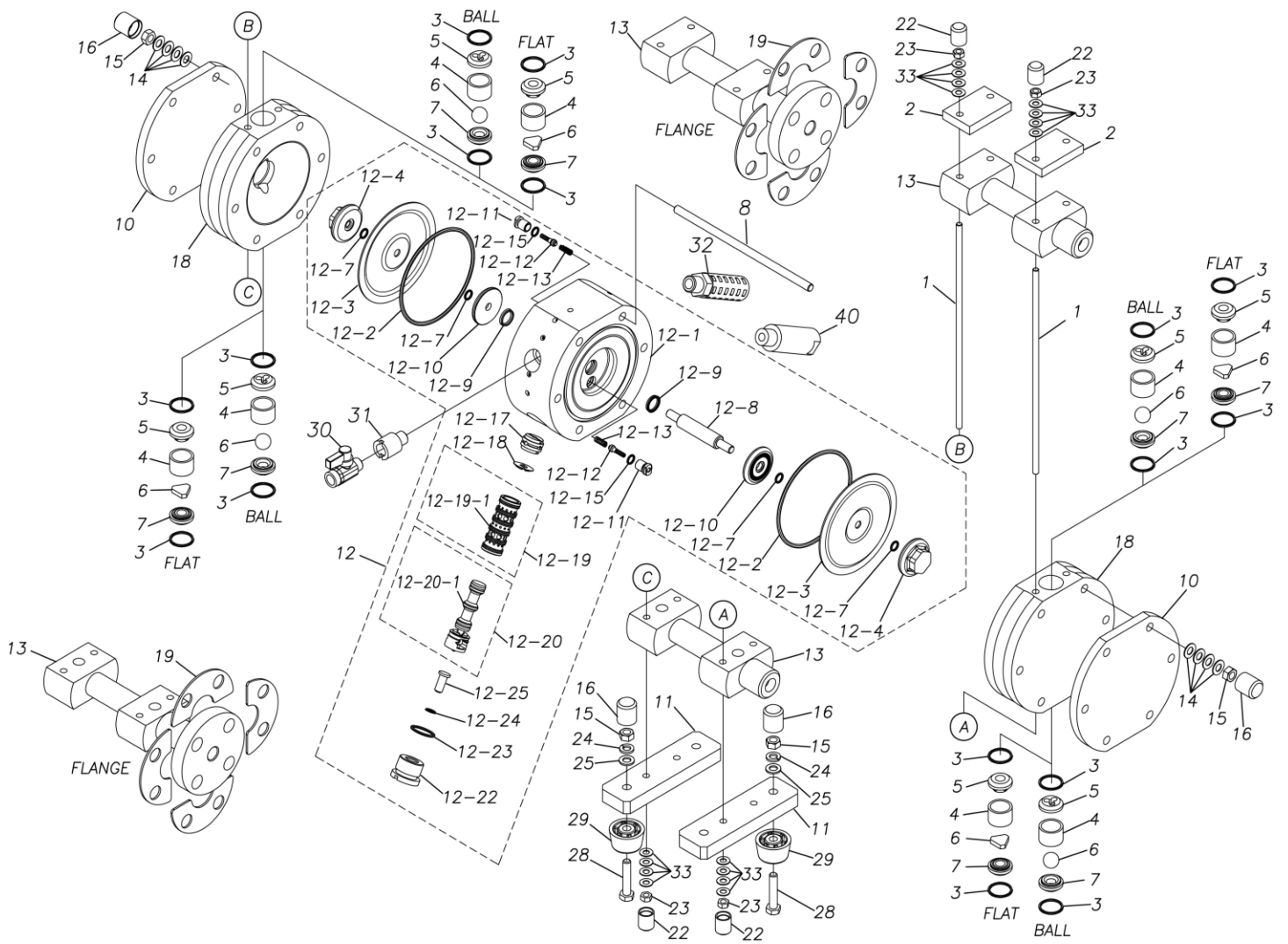
The part list and exploded view drawing as attached below indicate the full list of parts for the above mentioned pump model.

When ordering parts take care to select the correct model pump and required parts. Also be aware that models may change over time as improvements are made so cross-referencing the pumps serial number assembly date and service code are also recommended.

If you require specific spare parts you can also use this form to place your order.

For more information specific to your pump please refer to the pumps Service Book and Operation Manual available separately.

Please contact your Pump Distributor directly for more information.



■ Parts List

TC-X100HTA

1D00079MN

Ref.No.	Parts No.	Description	Parts Component	Remark
1	1D30031MM	TIE ROD	4	
2	1D30032MM	REINFORCEMENT PLATE	2	
3	9S1TP0021	O RING P-21	8	
4	1D20036TM	VALVE GUIDE	4	
5	1D20037TM	VALVE STOPPER	4	
6	1D20006TM	BALL	4	
7	1D20038TM	VALVE SEAT	4	
8	1D30033MM	TIE ROD	6	
10	1D30034MM	REINFORCEMENT PLATE	2	
11	1D30035MM	BASE	2	
12	1D10011MP	BODY ASSEMBLY	1	

Ref.No.	Parts No.	Description	Parts Component	Remark
12-1	1D10010MP	BODY ASSEMBLY	1	The parts of #12 are available with a set as [1D10011MP:BODY ASSEMBLY]. This is also available individually.
12-2	9S1TG0100	O RING G-100	2	
12-3	1D20019T3	DIAPHRAGM	2	
12-4	1E20039TM	CENTER DISK	2	
12-7	9S1TP0008	O RING P-8	4	
12-8	1D20035MM	CENTER ROD	1	
12-9	9S2VA0014	PACKING	2	
12-10	1E20027SM	CENTER DISK	2	
12-11	1D30025MM	PILOT VALVE SEAT	2	
12-12	1D10012MK	PILOT VALVE ASSEMBLY	2	
12-13	1D30027MM	SPRING	2	
12-15	9S1VP0007	O RING P-7	2	
12-17	1D30028MB	DETENT	1	
12-18	1E30025MB	CUSHION	1	
12-19	1E10004MK	SLEEVE ASSEMBLY	1	The parts of #12-19 are available with a set as [1E10004MK:SLEEVE ASSEMBLY]. This is also available individually.
12-19-1	9S1BA0018	O RING AS568-018	6	
12-20	1E10035MK	C SPOOL ASSEMBLY (Looped C®)	1	The parts of #12 are available with a set as [1D10011MP:BODY ASSEMBLY]. This is also available individually.
12-20-1	1E30031MM	SEAL RING	5	The parts of #12-20 are available with a set as [1E10035MK:C SPOOL ASSEMBLY (Looped C®)]. This is also available individually.
12-22	1D30029MM	CAP	1	The parts of #12 are available with a set as [1D10011MP:BODY ASSEMBLY]. This is also available individually.
12-23	9S1VP0022	O RING P-22	1	
12-24	9S1VP0008	O RING P-8	1	
12-25	1D30030MM	RESET BUTTON	1	
13	1D20041TN	MANIFOLD	2	
14	9W3210800	CONED DISK SPRING M8	48	
15	9N1210800	NUT M8	16	
16	1E30069TB	CAP	16	
18	1D20040TM	OUT CHAMBER	2	
19	1D30094MM	REINFORCEMENT PLATE	8	
22	1E30037TB	CAP	8	
23	9N1210600	NUT M6	8	
24	9W2210800	SPRING LOCK WASHER M8	4	
25	9W1210800	PLAIN WASHER M8	4	
28	9B1220840	BOLT M8 × 40	4	
29	1H30055MB	RUBBER FEET	4	
30	1E90002MN	BALL VALVE	1	
31	1D30036MN	UNION	1	
32	1D90001MP	SILENCER	1	
33	9W3210600	CONED DISK SPRING M6	32	
40	1D30037MN	UNION	1	